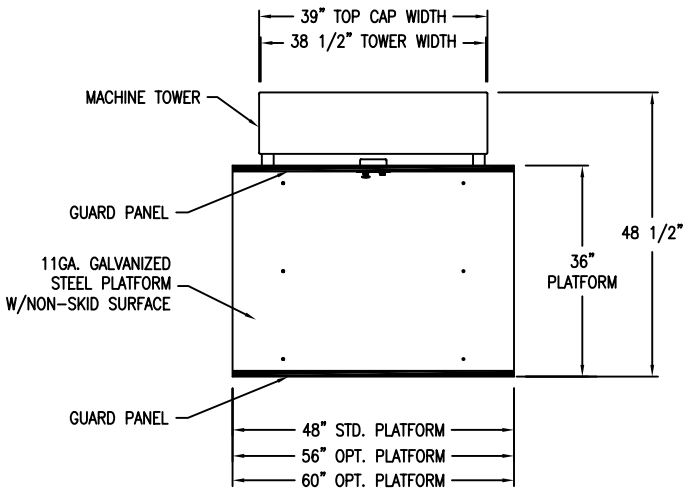
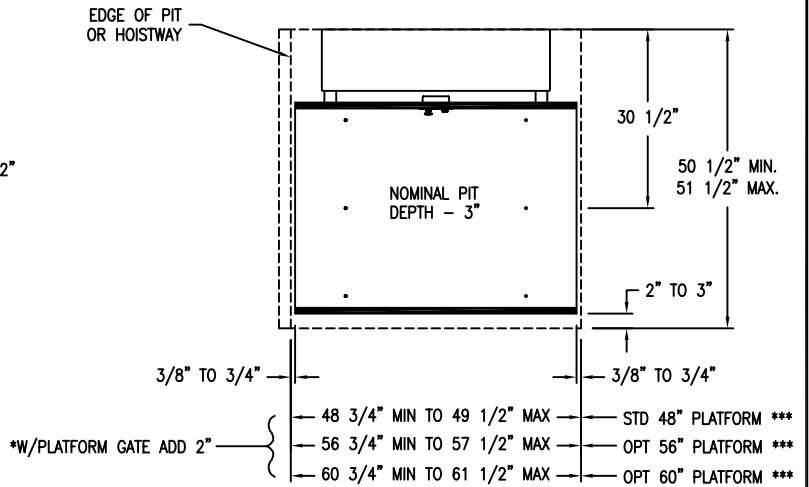


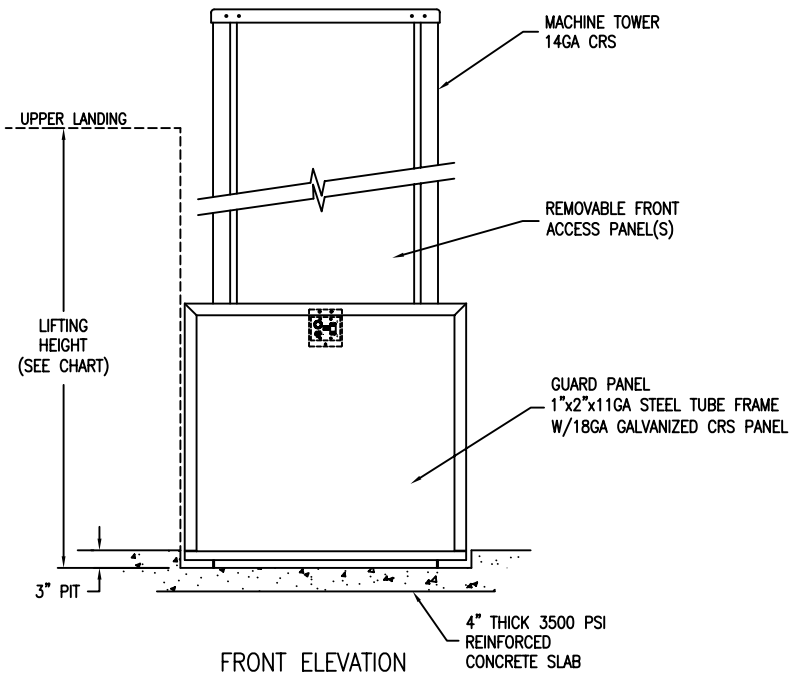
\*\*\* ADD 2" IF PLATFORM GATE IS USED



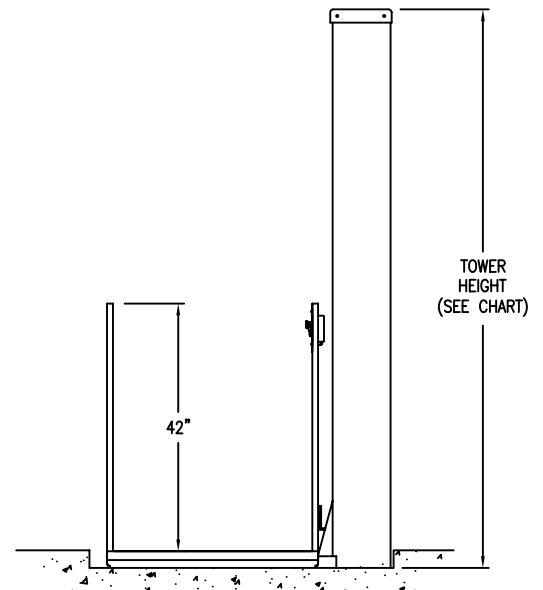
PLAN VIEW



HOISTWAY OR PIT LAYOUT




FRONT ELEVATION



LOWER LANDING SIDE ELEVATION

MODEL	Max. Lifting Ht.	Tower Height
24	27"	47.25"
36	39"	59.25"
50	53"	73.25"
72	75"	95.25"
96	99"	119.25"
120	123"	143.25"
144	147"	167.25"
168	171"	191.25"

ThyssenKrupp Access 		MODEL: PL-S Standard
ThyssenKrupp		DEALER:
<b>PORCH-LIFT.</b> VERTICAL PLATFORM LIFT PL-S Straight-thru Pit Mount		CUSTOMER:
SCALE: NTS	DATE: 10/25/00	JOB or P.O.#:
		ORDER NUMBER: PL-S 01