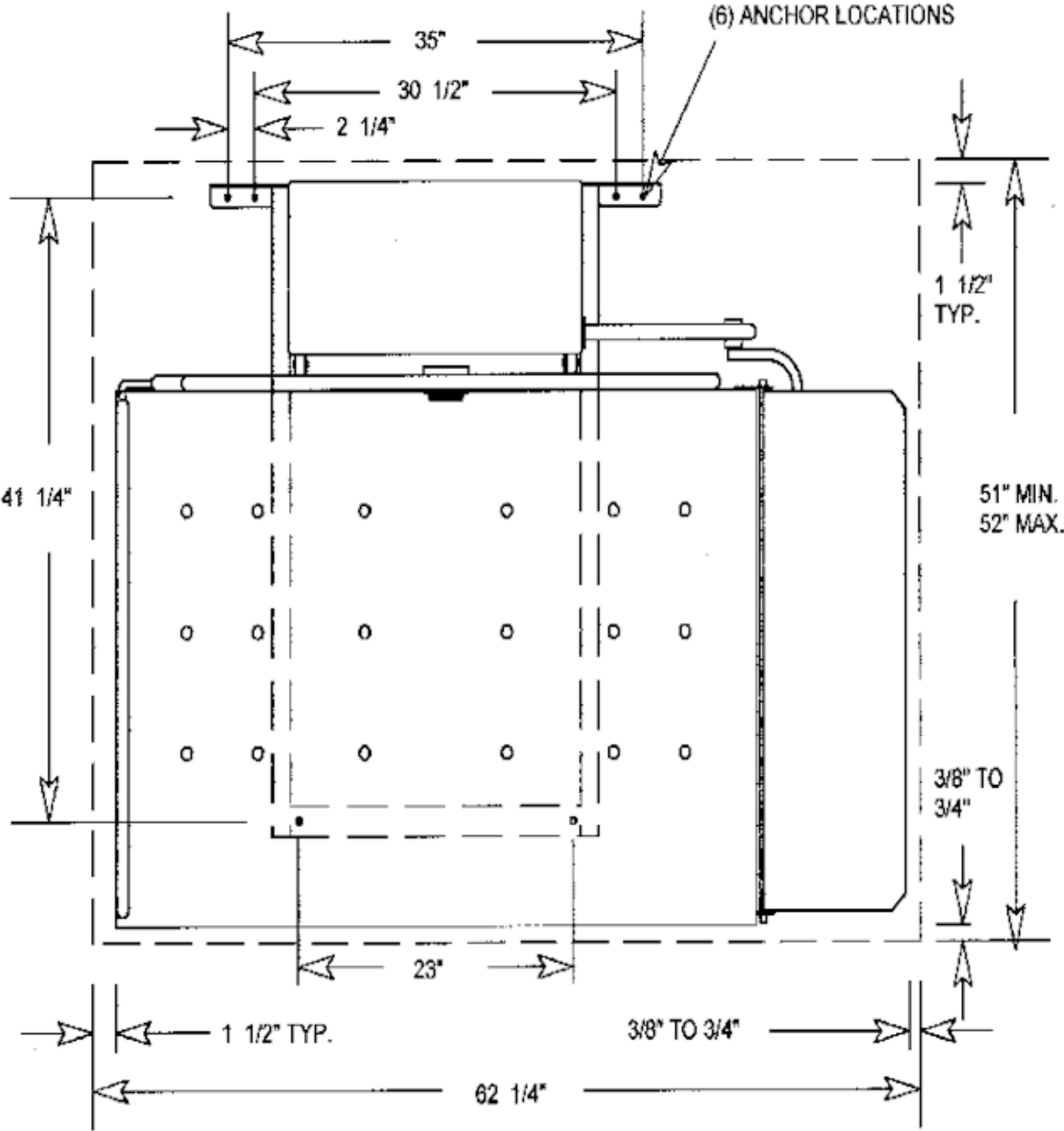


NOMINAL PIT DEPTH 2"

(6) ANCHOR LOCATIONS



PLATFORM LENGTH 54"; PLATFORM WIDTH 35 1/2"; RAMP LENGTH 12"

PL50 90 DEGREE PLATFORM FLOOR LAYOUT

REMOVEABLE FRONT PANELS (2 EACH) PROVIDES ACCESS TO THE DRIVE MECHANISM.

MANUAL CRANK INSERT LOCATION

UNIT CONTROL BOX

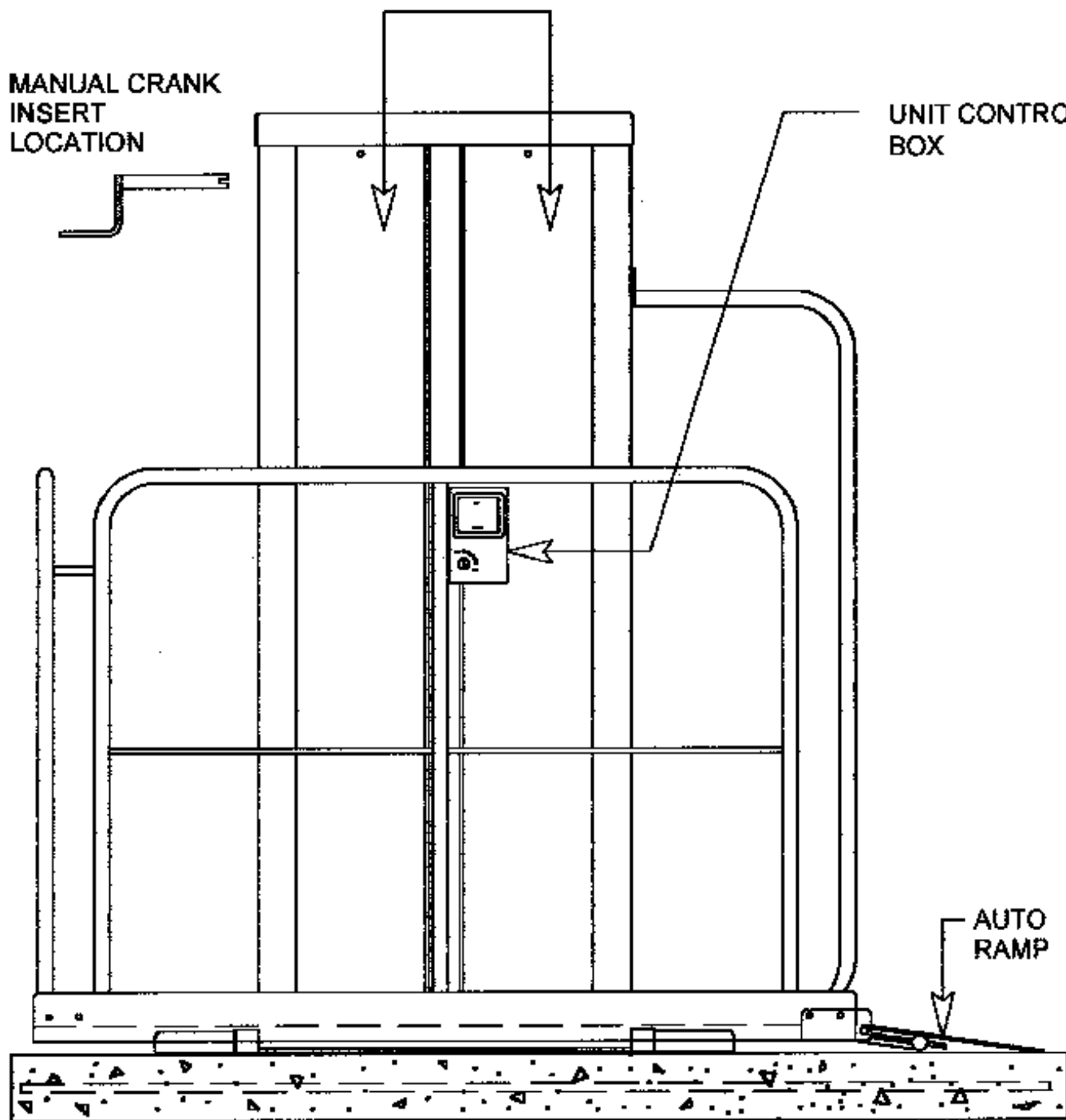
50" LANDING HEIGHT, MAXIMUM

AUTO RAMP

(SEE ANCHOR MOUNTING DETAIL)

4" THICK 3500LB PSI REINFORCED CONCRETE SLAB FOR MOUNTING
PLATFORM LENGTH 54"; PLATFORM WIDTH 35 1/2"; RAMP LENGTH 12"

PL50 90 DEGREE PLATFORM FRONT ELEVATION



MANUAL CRANK
INSERT
LOCATION

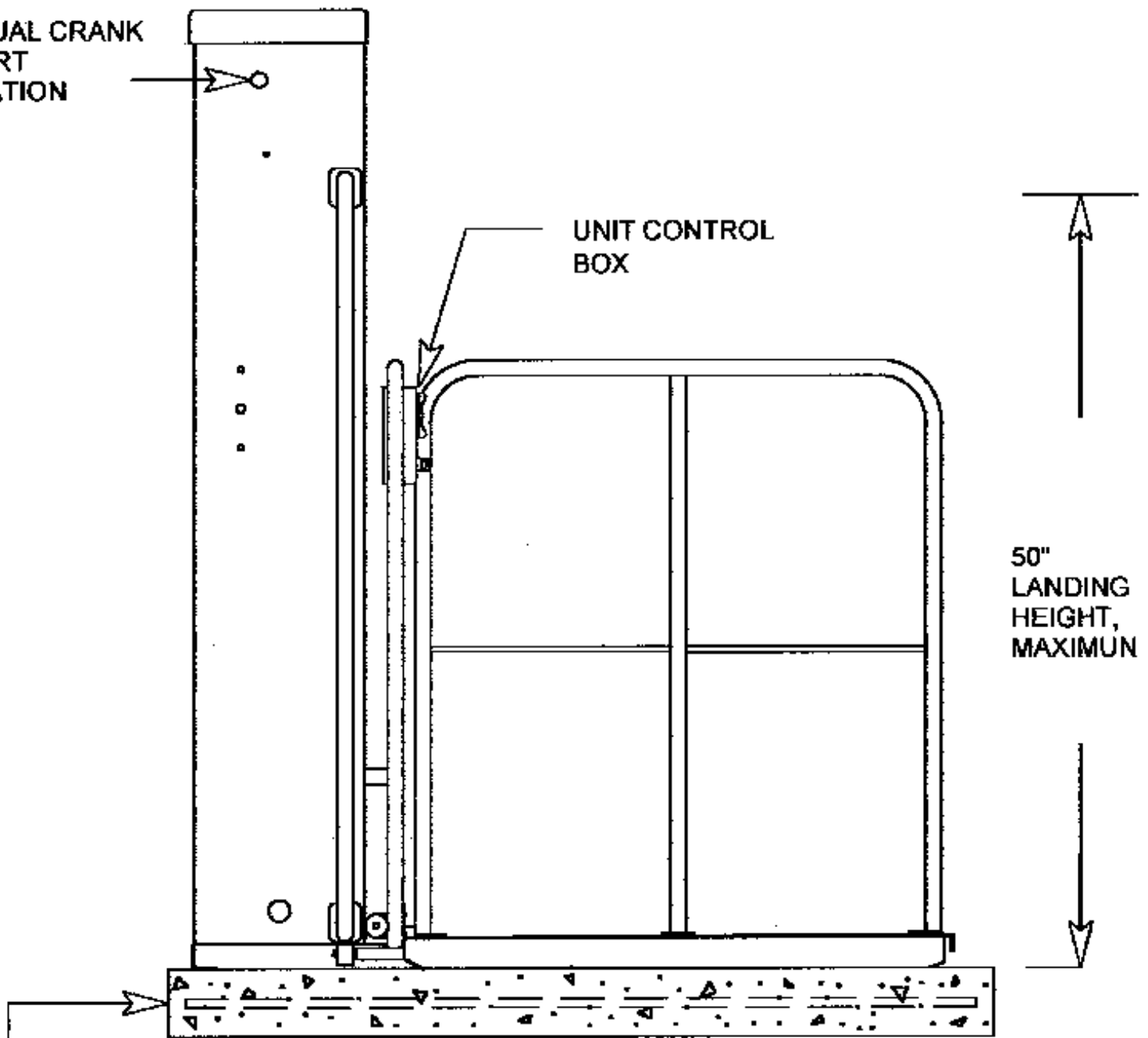
UNIT CONTROL
BOX

50"
LANDING
HEIGHT,
MAXIMUM

(SEE ANCHOR MOUNTING DETAIL)

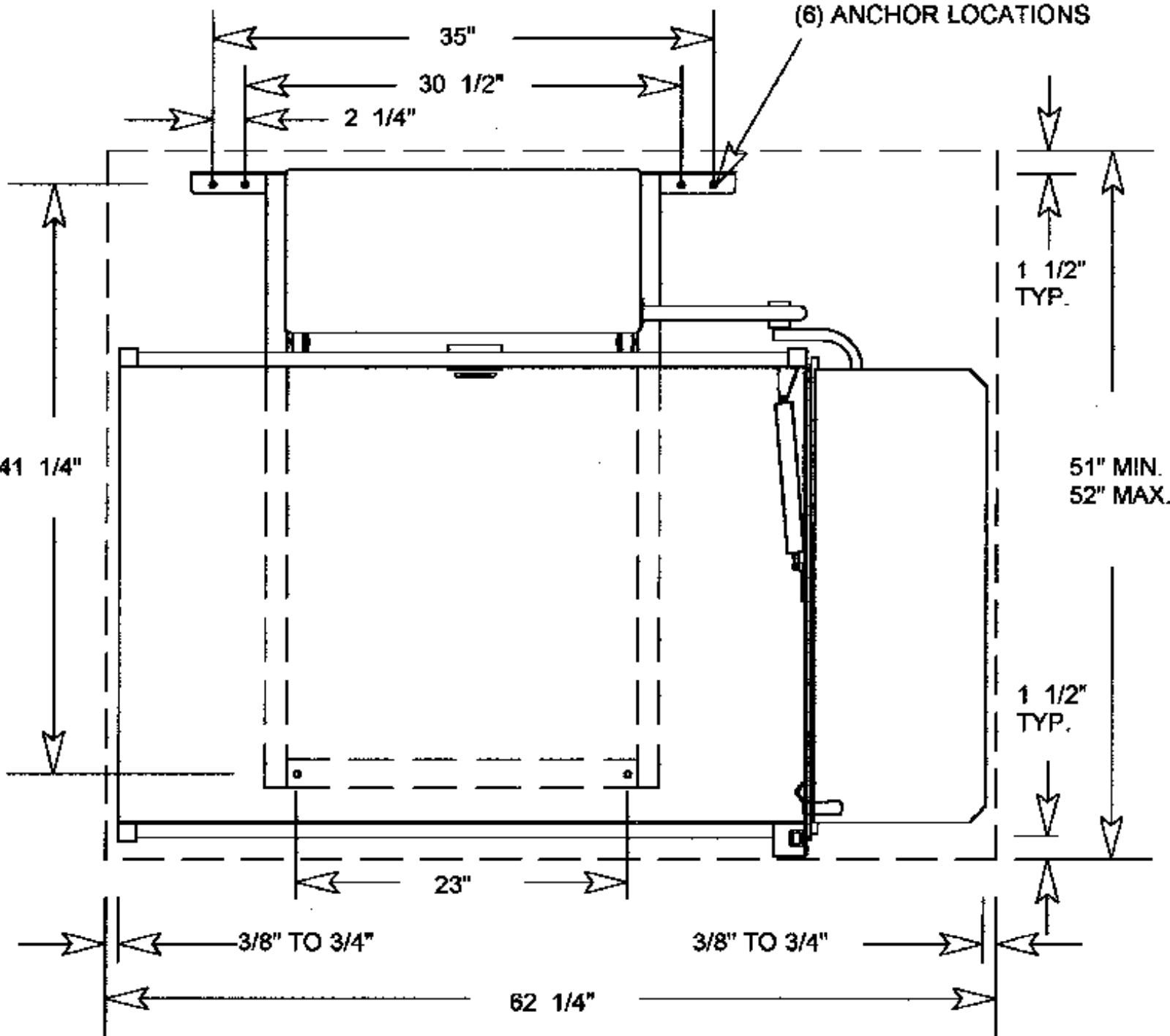
4" THICK 3500LB PSI REINFORCED CONCRETE SLAB FOR MOUNTING
PLATFORM LENGTH 54"; PLATFORM WIDTH 35 1/2"; RAMP LENGTH 12"

PL50 90 DEGREE PLATFORM SIDE ELEVATION



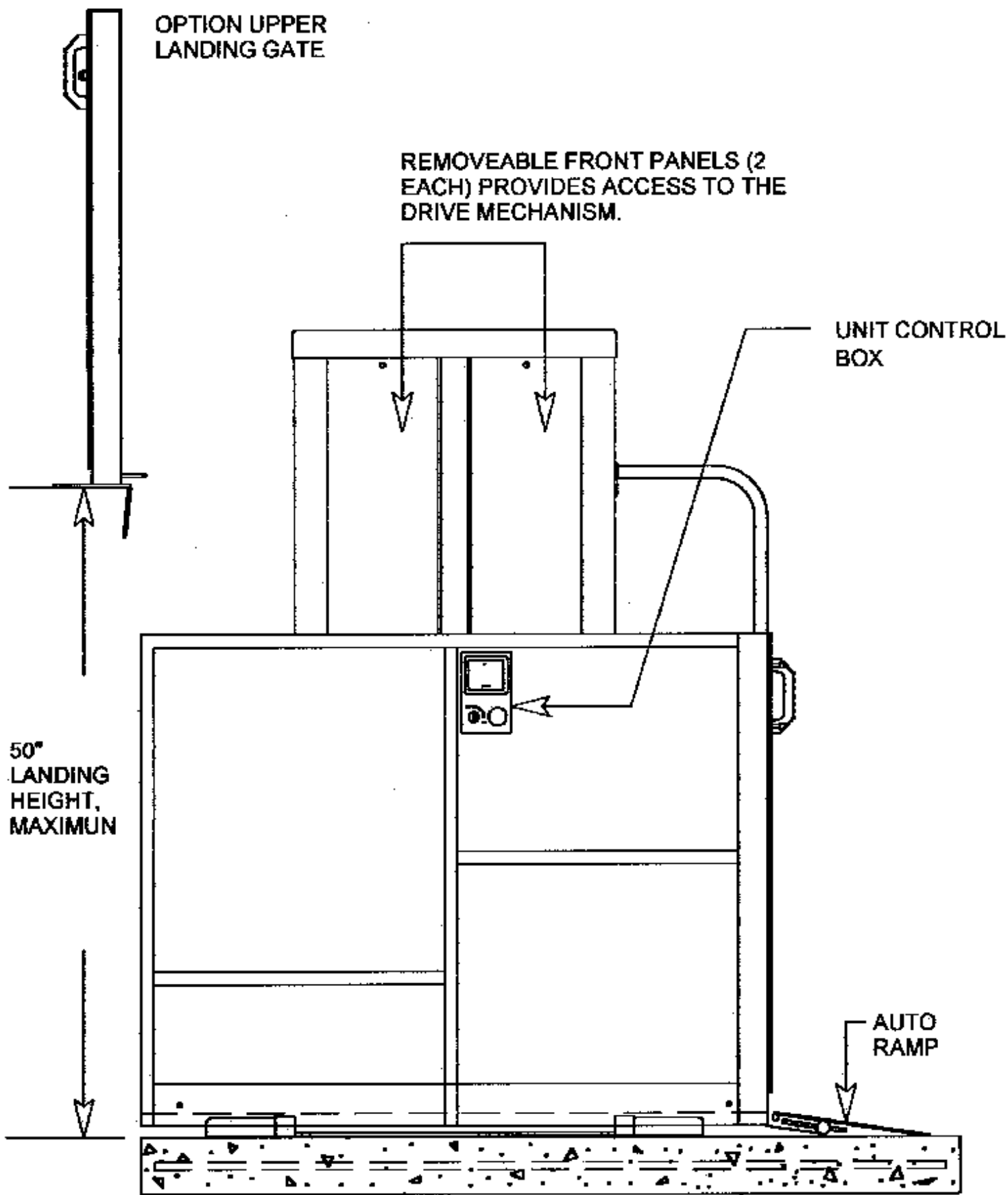
NOMINAL PIT DEPTH 2"

(6) ANCHOR LOCATIONS



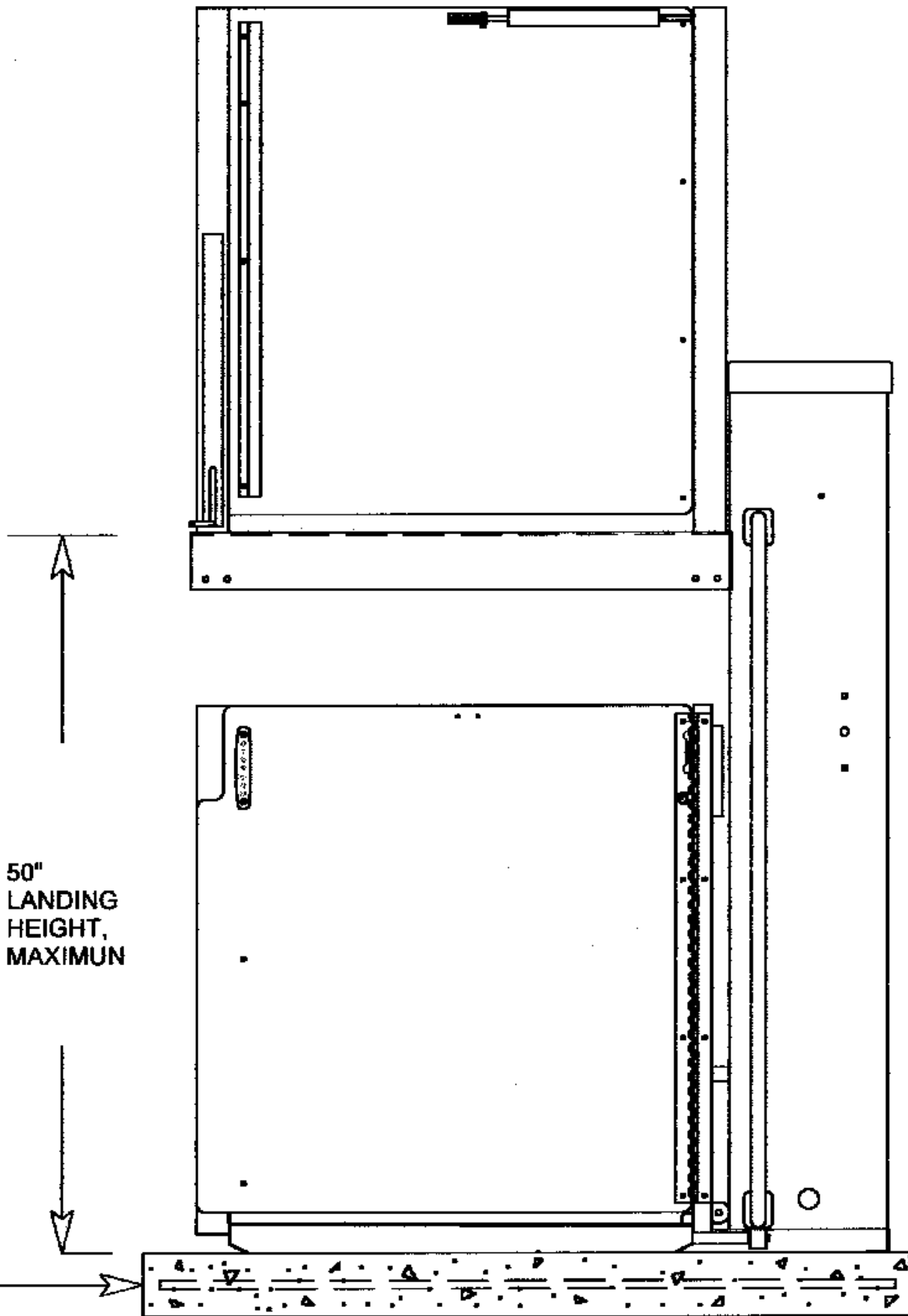
PLATFORM LENGTH 48"; PLATFORM WIDTH 32 1/4"; RAMP LENGTH 12"

PL50 FLOOR LAYOUT



(SEE ANCHOR MOUNTING DETAIL)

4" THICK 3500LB PSI REINFORCED CONCRETE SLAB FOR MOUNTING
 PLATFORM LENGTH 48"; PLATFORM WIDTH 32 1/4"; RAMP LENGTH 12"
 PL50 SOLID SIDE WITH PLATFORM GATE AND UPPER LANDING GATE
 FRONT ELEVATION



50"
LANDING
HEIGHT,
MAXIMUM

(SEE ANCHOR MOUNTING DETAIL)

4" THICK 3500LB PSI REINFORCED CONCRETE SLAB FOR MOUNTING

PLATFORM LENGTH 48"; PLATFORM WIDTH 32 1/4"; RAMP LENGTH 12"

PL50 SOLID SIDE WITH OPTION UPPER LANDING GATE SIDE ELEVATION



OPTION CALL-SEND CONTROLS (LOCATED BY INSTALLER)

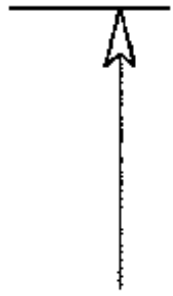
REMOVEABLE FRONT PANELS (2 EACH) PROVIDES ACCESS TO THE DRIVE MECHANISM.

MANUAL CRANK INSERT LOCATION

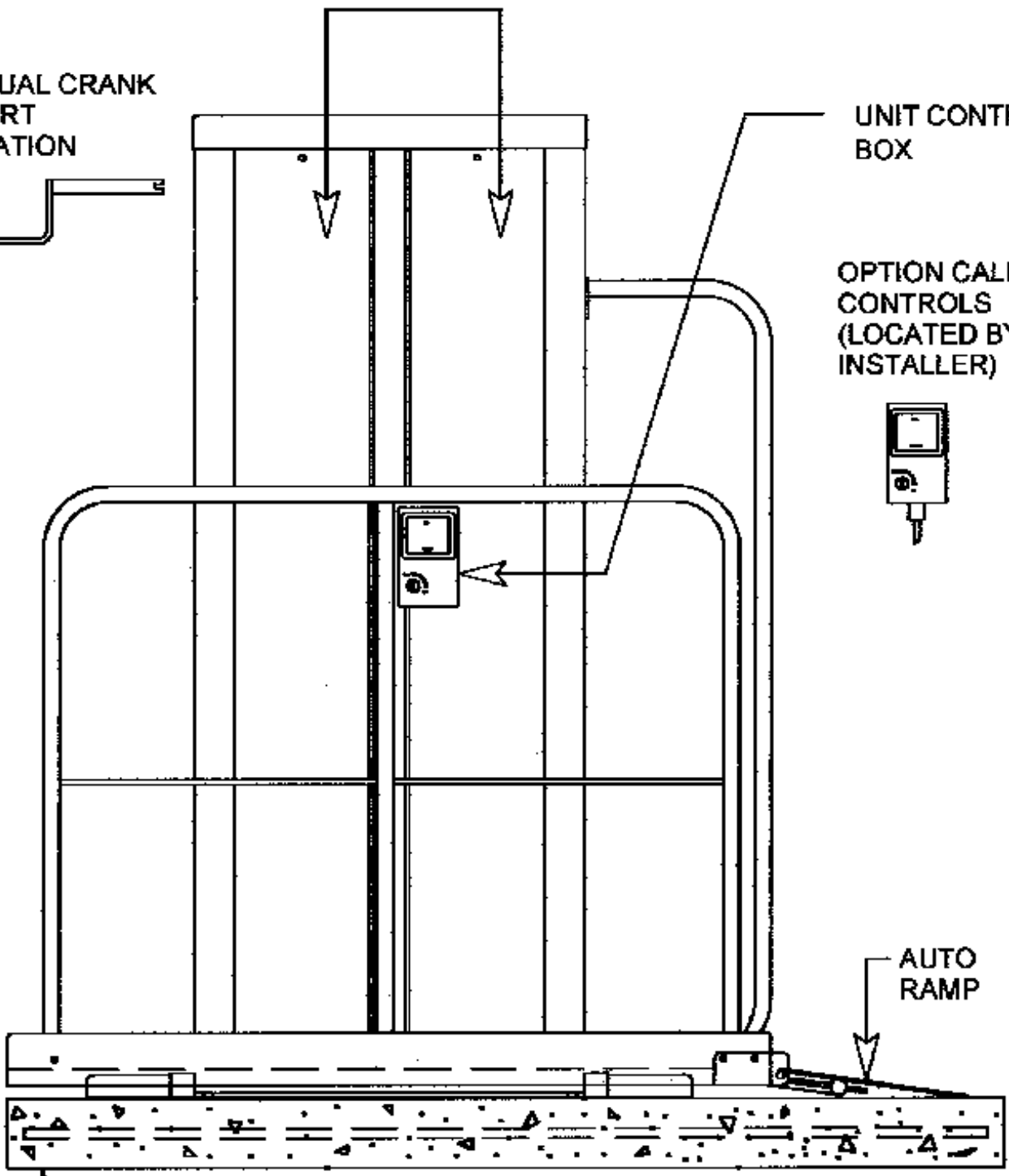


UNIT CONTROL BOX

OPTION CALL-SEND CONTROLS (LOCATED BY INSTALLER)



50" LANDING HEIGHT, MAXIMUM



AUTO RAMP

(SEE ANCHOR MOUNTING DETAIL)

4" THICK 3500LB PSI REINFORCED CONCRETE SLAB FOR MOUNTING

PLATFORM LENGTH 48"; PLATFORM WIDTH 32 1/4"; RAMP LENGTH 12"

PL50 FRONT ELEVATION

MANUAL CRANK
INSERT
LOCATION

OPTION CALL-SEND
CONTROLS
(LOCATED BY
DEALER)

UNIT CONTROL
BOX

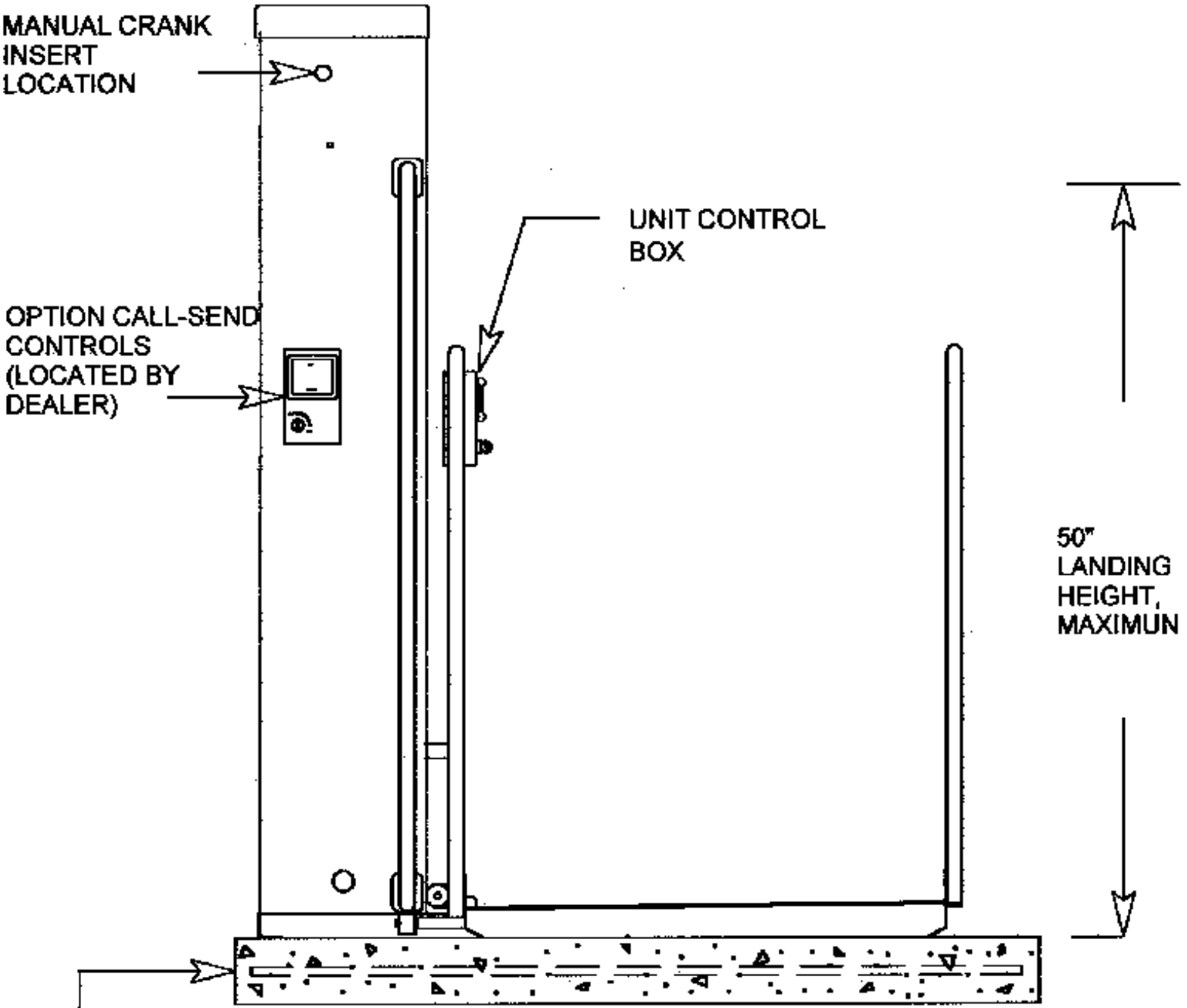
50"
LANDING
HEIGHT,
MAXIMUM

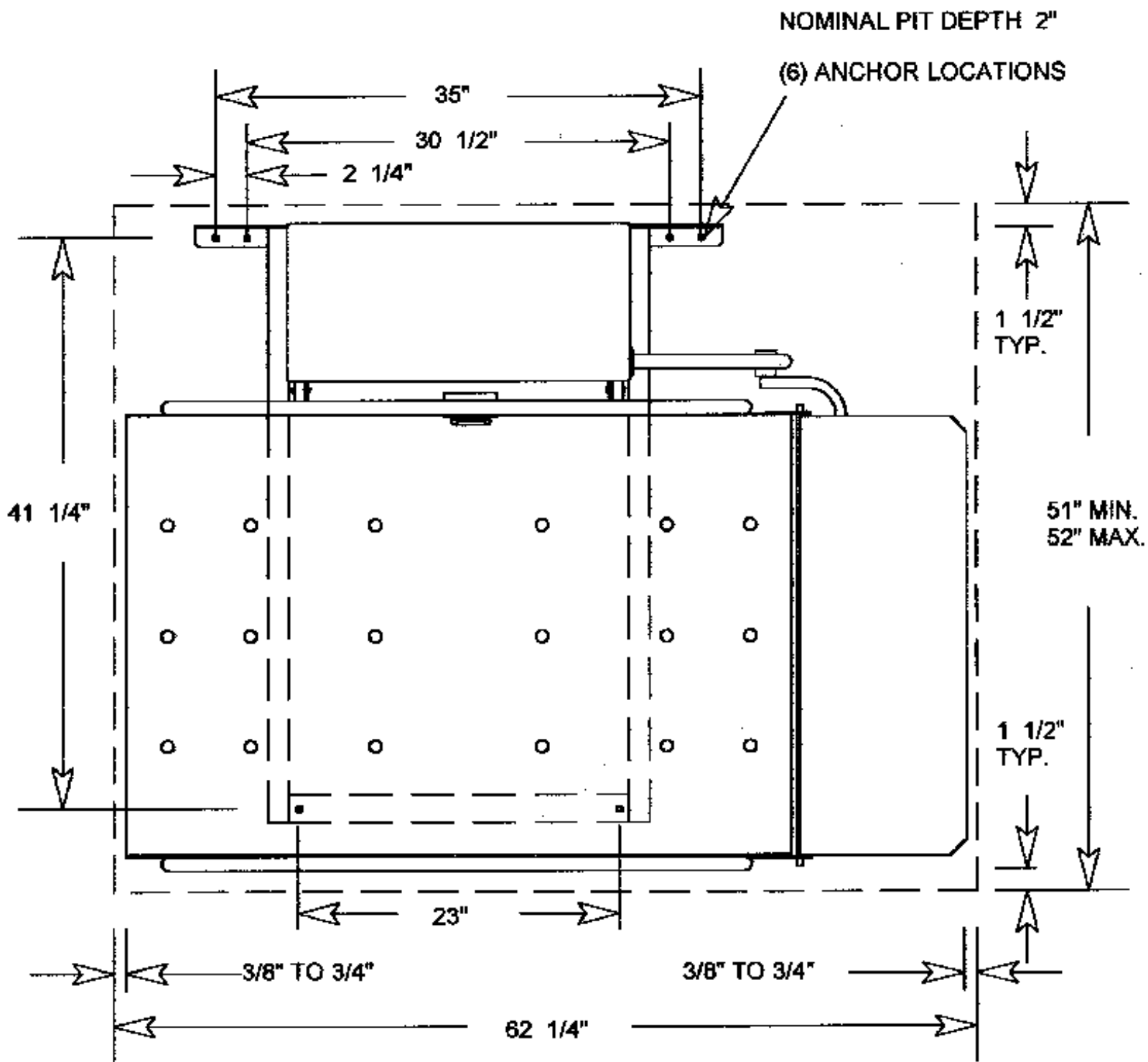
(SEE ANCHOR MOUNTING DETAIL)

4" THICK 3500LB PSI REINFORCED CONCRETE SLAB FOR MOUNTING

PLATFORM LENGTH 48"; PLATFORM WIDTH 32 1/4"; RAMP LENGTH 12"

PL50 SIDE ELEVATION





PLATFORM LENGTH 48"; PLATFORM WIDTH 32 1/4"; RAMP LENGTH 12"

PL50 FLOOR LAYOUT

REMOVEABLE FRONT PANELS (2 EACH) PROVIDES ACCESS TO THE DRIVE MECHANISM.

MANUAL CRANK INSERT LOCATION

UNIT CONTROL BOX

50" LANDING HEIGHT, MAXIMUM

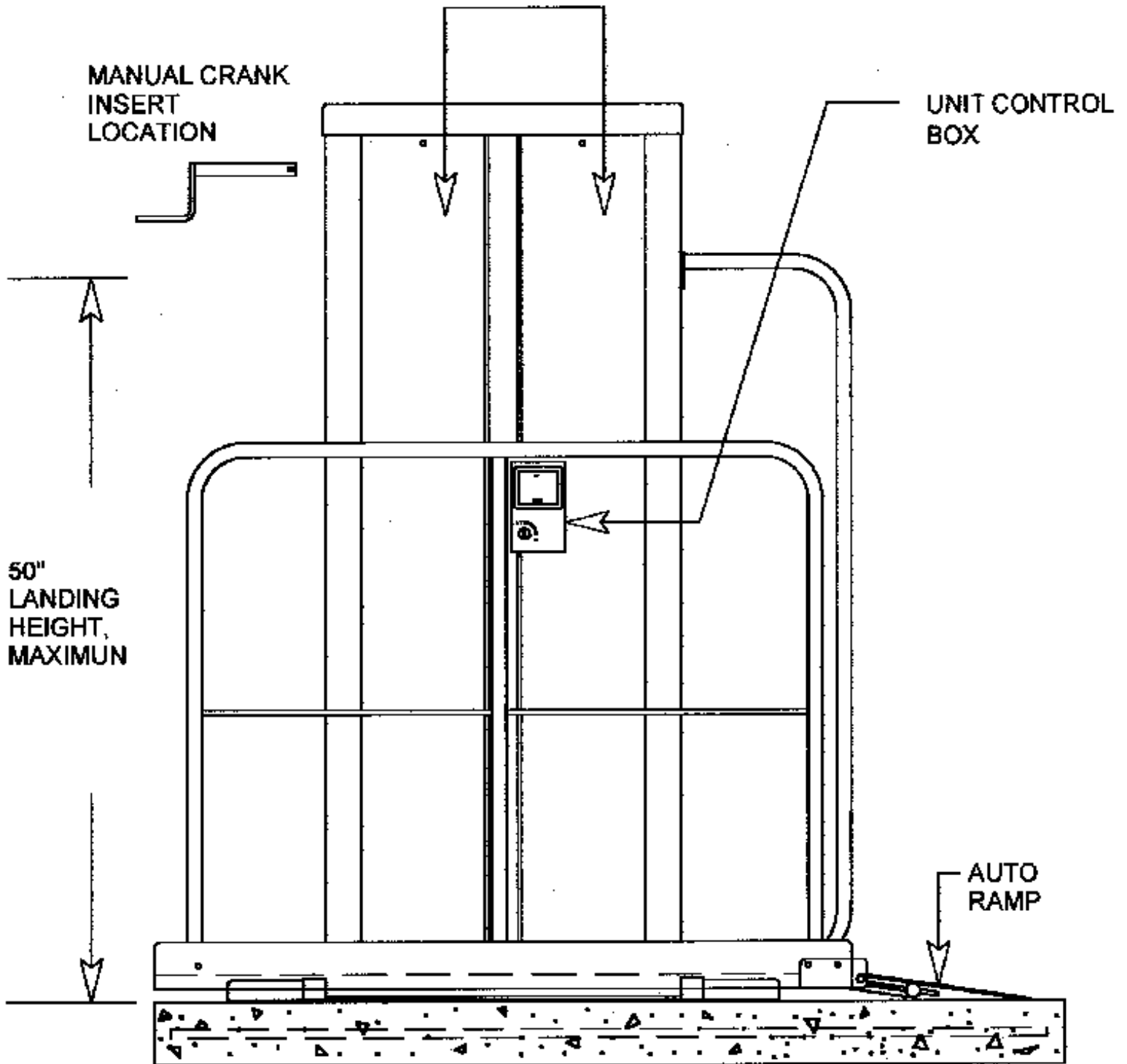
AUTO RAMP

(SEE ANCHOR MOUNTING DETAIL)

4" THICK 3500LB PSI REINFORCED CONCRETE SLAB FOR MOUNTING

PLATFORM LENGTH 48"; PLATFORM WIDTH 32 1/4"; RAMP LENGTH 12"

PL50 FRONT ELEVATION



REMOVEABLE FRONT PANELS (2 EACH) PROVIDES ACCESS TO THE DRIVE MECHANISM.

MANUAL CRANK INSERT LOCATION

UNIT CONTROL BOX

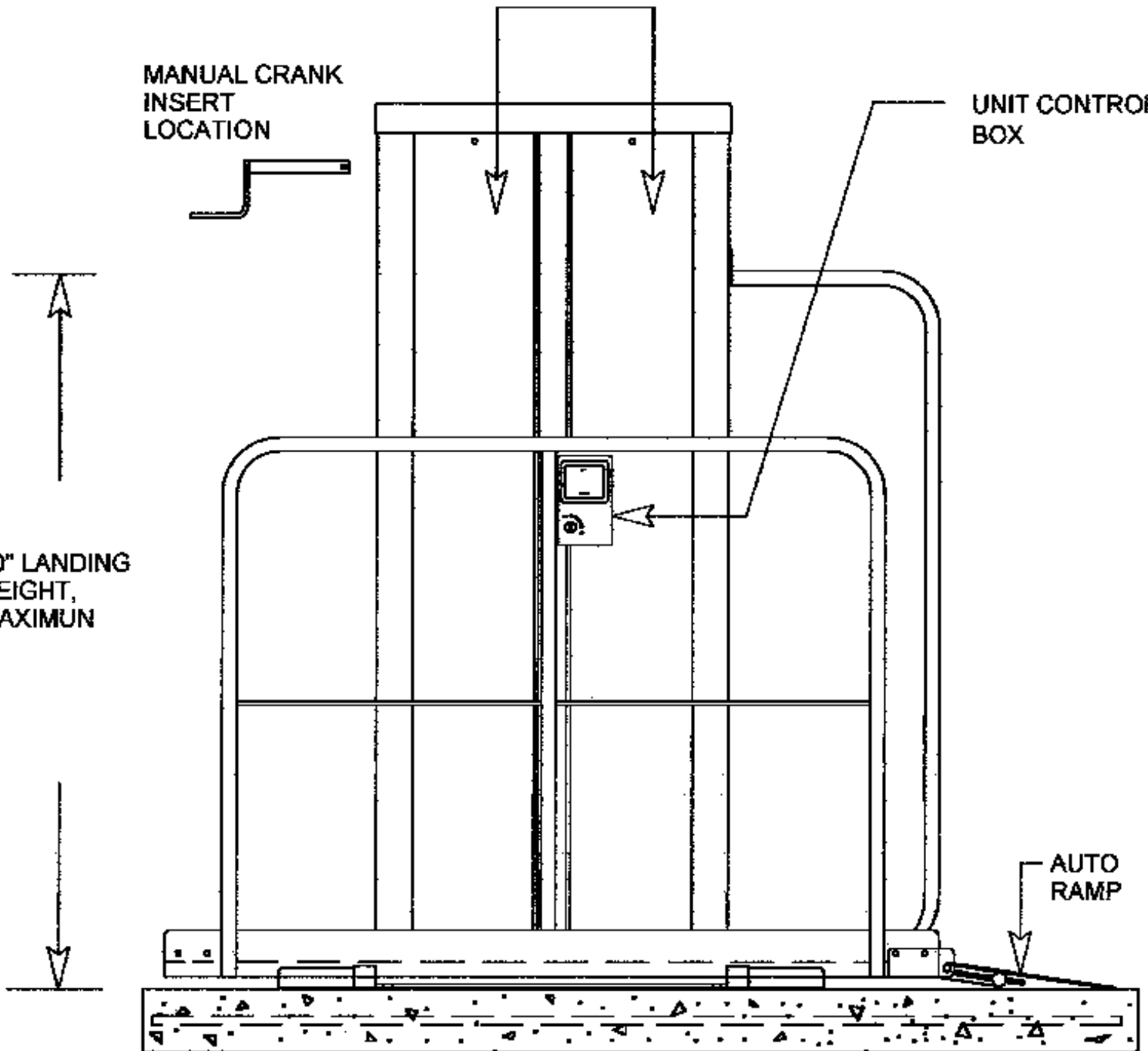
50" LANDING HEIGHT, MAXIMUM

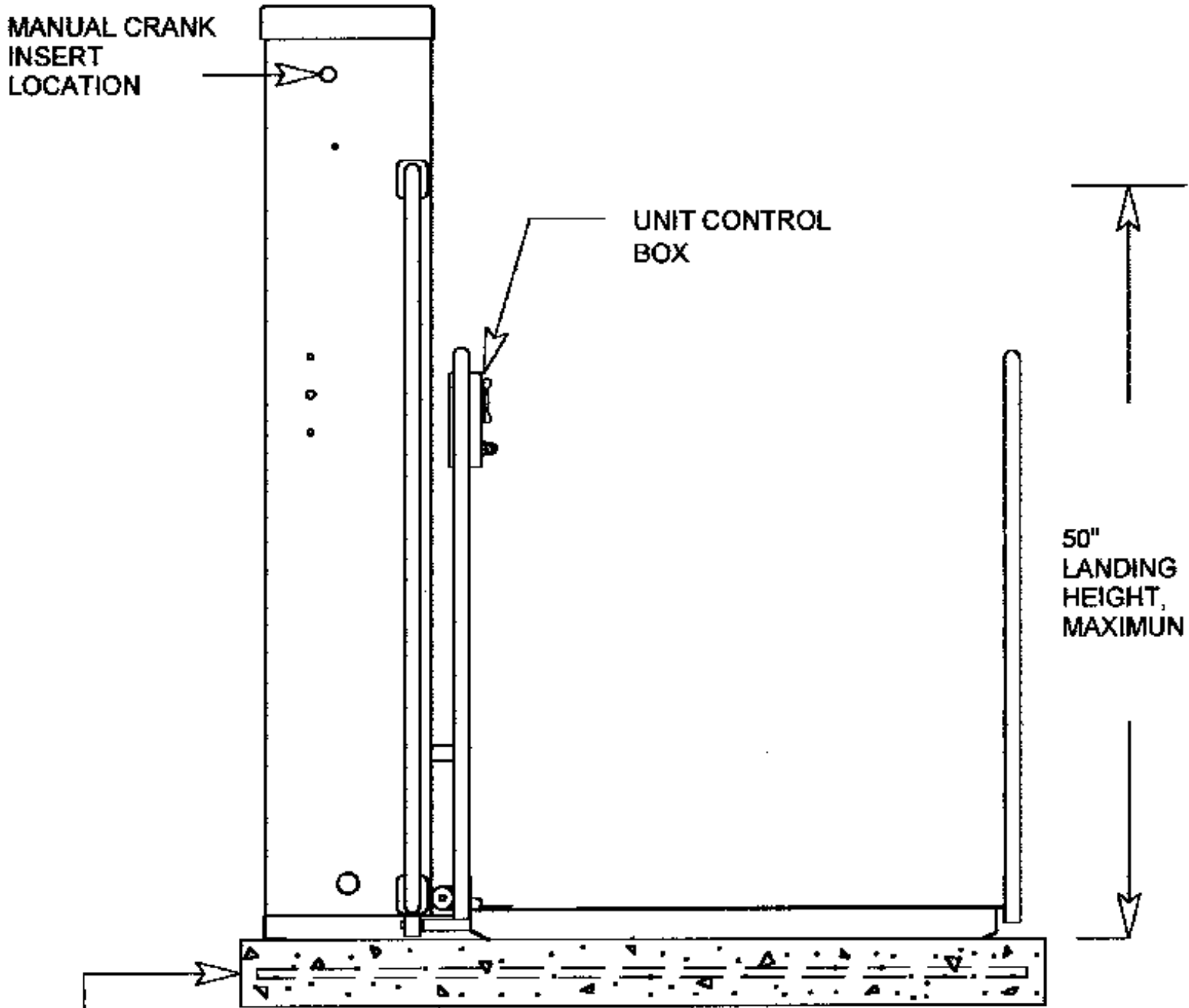
AUTO RAMP

(SEE ANCHOR MOUNTING DETAIL)

4" THICK 3500LB PSI REINFORCED CONCRETE SLAB FOR MOUNTING
PLATFORM LENGTH 54"; PLATFORM WIDTH 35 1/2"; RAMP LENGTH 12"

PL50 LARGE PLATFORM FRONT ELEVATION





(SEE ANCHOR MOUNTING DETAIL)

4" THICK 3500LB PSI REINFORCED CONCRETE SLAB FOR MOUNTING

PLATFORM LENGTH 54"; PLATFORM WIDTH 35 1/2"; RAMP LENGTH 12"

PL50 LARGE PLATFORM SIDE ELEVATION

MAC'S LIFT GATE INC.

VERTICAL HOME LIFT PL-50

NOTES:

1. **FIELD ELECTRICAL WIRING AND CONNECTONS TO GATES, "CALL-SENDS" CONTROLS, INTERLOCKS AND MACHINE HOUSING TO BE INSTALLED BY OTHERS.**
2. **OUTLET: 115 VOLTS, 15 AMP, 60 HZ SEPARATE CIRCUIT. ALL ELECTRICALS BY OTHERS. DISCONNECT SWITCH PROVIDED BY OTHERS.**
3. **ALL LIGHTING BY OTHERS. NOT LESS THAN FIVE (5) FOOT CANDLES.**
4. **KEYED "CALL-SEND" CONTROLS. ALL WIRING ROUTED BY OTHERS.**
5. **SMOOTH VERTICAL FASCIA ON TOP LANDING SIDE. PROVIDED BY CONTRACTOR.**
6. **MACHINE BASE MUST BE ANCHORED TO A 4" THICK, 3500 PSI, LEVEL, REINFORCED CONCRETE PAD. PAD CONSTRUCTED BY OTHERS.**
7. **THERE MUST BE A MINIMUM OF 6"-8" OF CLEAR SPACE ABOVE THE UPPER LANDING FOR HEADROOM CLEARANCE. BY OTHERS.**
8. **UNIT MAY HAVE TO BE INSTALLED PRIOR TO COMPLETION OF CONSTRUCTION.**
9. **ANY ALTERATIONS TO EQUIPMENT WITHOUT WRITTEN AUTHORIZATION OF MAC'S LIFT GATE INC. WILL VOID ALL WARRANTIES.**

SPECIFICATIONS:

MOTOR: 1/2 H.P., 1725 RPM, 120VAC, 5.9 AMP, 60 HZ. INSTANT REVERSING, THERMALLY PROTECTED TYPE M, FACTORY SEALED BEARINGS, AND

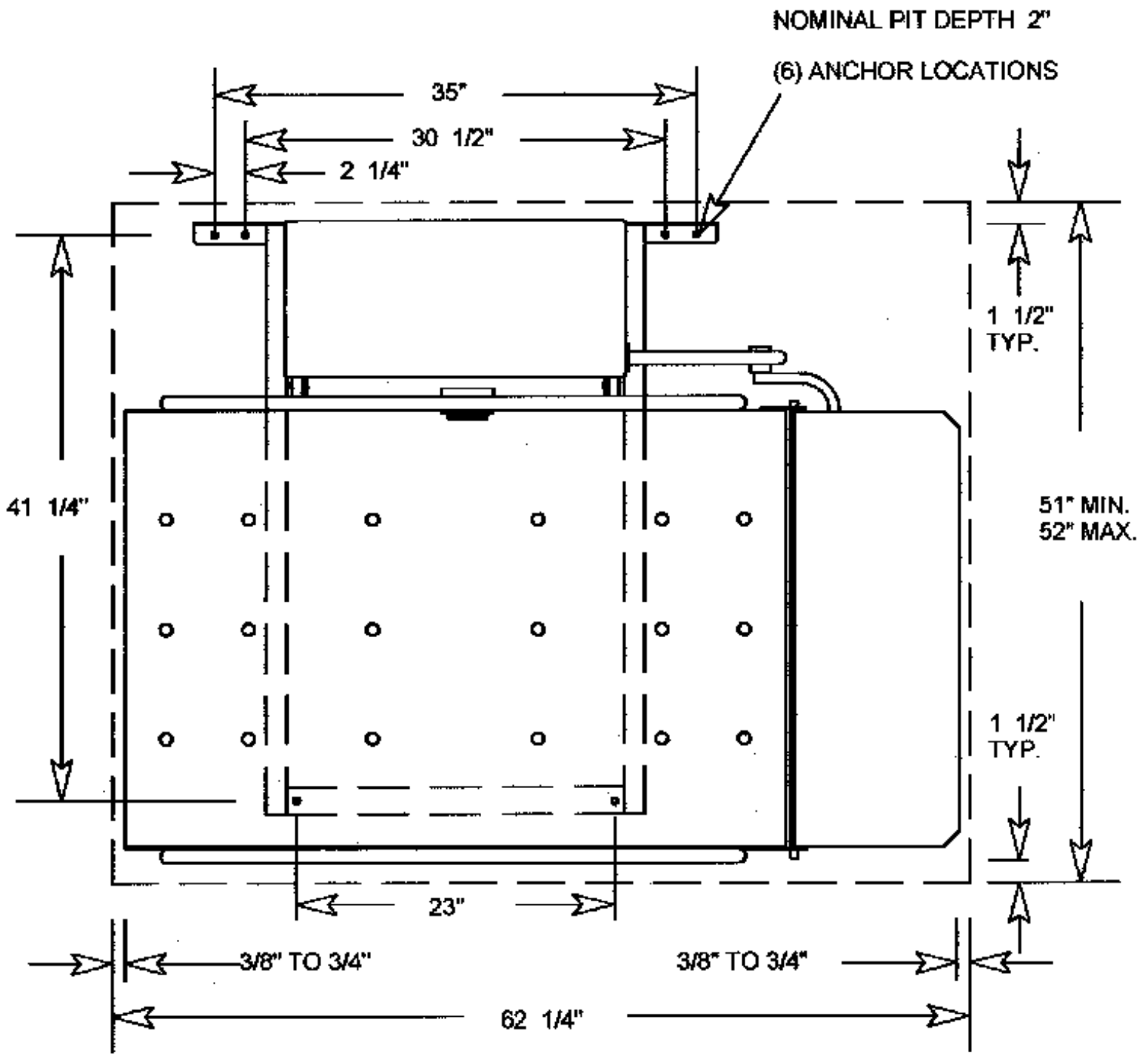
DRIVE MECHANISM: HORIZONTAL MOUNTED.
WORM DRIVE GEAR BOX, AND CHAIN WITH SAFETY DEVICE AND ONE V-BELT PULLEY.

SAFETY DEVICES: UPPER & LOWER LIMIT SWITCHES
24 V.A.C. FROM TRANSFORMER IN CONTROLLER FOR CONTROL CIRCUITS, SAFETY CIRCUITS, PLATFORM CONTROLS, 24 VAC RELAYS. GROUNDED ELECTRICAL SYSTEM.
CHAIN SAFETY DEVICE.
KEY LOCKS ON CONTROLS.
NON-SLIP SURFACE ON PLATFORM AND RAMP.
AUTOMATIC ACCESS RAMP
RATED FOR 600 LBS @ 10 F.P.M. VERTICAL LIFTING SPEED WITH A SAFETY FACTOR OF 5.0 TIMES RATED LOAD.

CONSTRUCTION: 1 1/2" X 1 1/2" X 1/4" STEEL TUBE FRAME.
14 GAUGE C.R.S. MACHINE CABINET
13 GAUGE C.R.S. PLATFORM
11 GAUGE C.R.S. RAMP
1" OD X 11 GAUGE STEEL TUBE GUARD RAIL

OPTIONS:

CALL SEND SWITCHES, ONE FOR UPPER LANDING, ONE MOUNTED TO TOWER. BOLT ON PLATFORM, UPPER LANDING GATE



PLATFORM LENGTH 48"; PLATFORM WIDTH 32 1/4"; RAMP LENGTH 12"

PL72 FLOOR LAYOUT

REMOVEABLE FRONT PANELS (2 EACH) PROVIDES ACCESS TO THE DRIVE MECHANISM.

MANUAL CRANK INSERT LOCATION



72" LANDING HEIGHT, MAXIMUM

UNIT CONTROL BOX

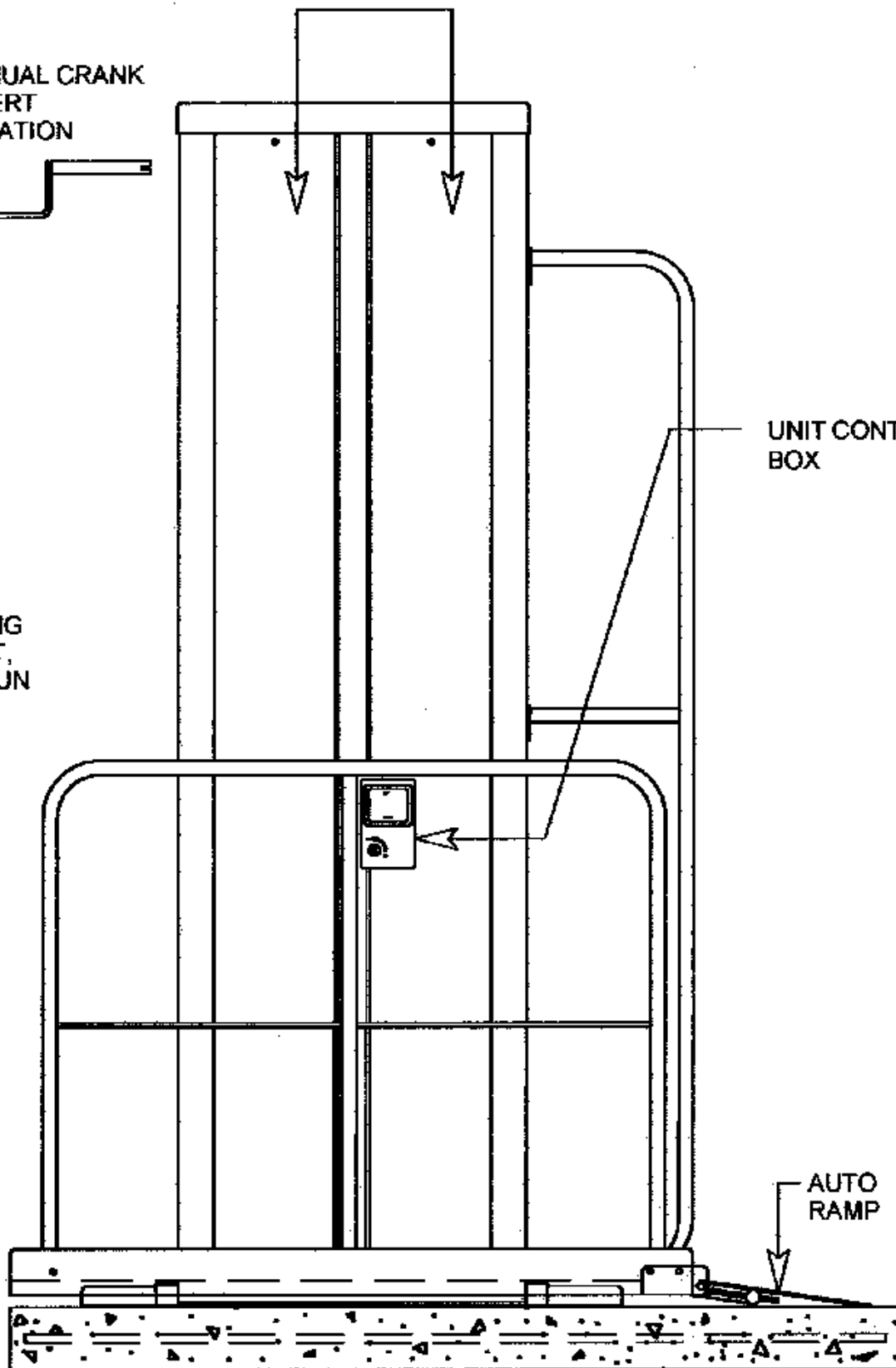
AUTO RAMP

(SEE ANCHOR MOUNTING DETAIL)

4" THICK 3500LB PSI REINFORCED CONCRETE SLAB FOR MOUNTING

PLATFORM LENGTH 48"; PLATFORM WIDTH 32 1/4"; RAMP LENGTH 12"

PL72 FRONT ELEVATION



MAC'S LIFT GATE INC.

VERTICAL HOME LIFT PL-72

NOTES:

1. FIELD ELECTRICAL WIRING AND CONNECTIONS TO GATES, "CALL-SENDS" CONTROLS, INTERLOCKS AND MACHINE HOUSING TO BE INSTALLED BY OTHERS.
2. OUTLET: 115 VOLTS, 15 AMP, 60 HZ SEPARATE CIRCUIT. ALL ELECTRICALS BY OTHERS. DISCONNECT SWITCH PROVIDED BY OTHERS.
3. ALL LIGHTING BY OTHERS. NOT LESS THAN FIVE (5) FOOT CANDLES.
4. KEYED "CALL-SEND" CONTROLS. ALL WIRING ROUTED BY OTHERS.
5. SMOOTH VERTICAL FASCIA ON TOP LANDING SIDE PROVIDED BY CONTRACTOR.
6. MACHINE BASE MUST BE ANCHORED TO A 4" THICK, 3500 PSI, LEVEL, REINFORCED CONCRETE PAD. PAD CONSTRUCTED BY OTHERS.
7. THERE MUST BE A MINIMUM OF 6"-8" OF CLEAR SPACE ABOVE THE UPPER LANDING FOR HEADROOM CLEARANCE. BY OTHERS.
8. UNIT MAY HAVE TO BE INSTALLED PRIOR TO COMPLETION OF CONSTRUCTION.
9. ANY ALTERATIONS TO EQUIPMENT WITHOUT WRITTEN AUTHORIZATION OF MAC'S LIFT GATE INC. WILL VOID ALL WARRANTIES.

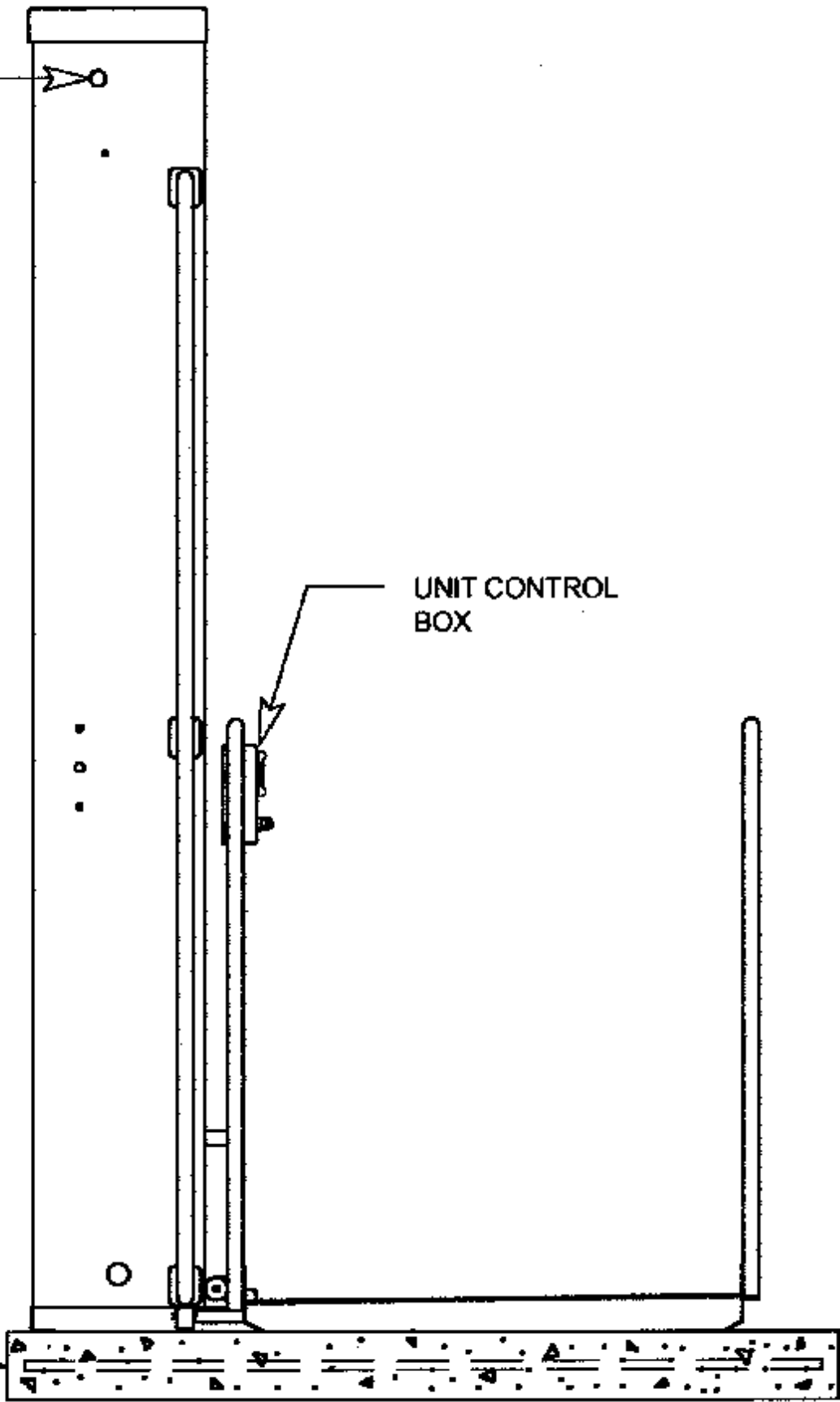
SPECIFICATIONS:

- MOTOR:** 1/2 H.P., 1725 RPM, 120VAC, 5.9 AMP, 60 HZ. INSTANT REVERSING, THERMALLY PROTECTED TYPE M, FACTORY SEALED BEARINGS, AND HORIZONTAL MOUNTED.
- DRIVE MECHANISM:** WORM DRIVE GEAR BOX, AND CHAIN WITH SAFETY DEVICE AND ONE V-BELT PULLEY.
- SAFETY DEVICES:** UPPER & LOWER LIMIT SWITCHES
24 V.A.C. FROM TRANSFORMER IN CONTROLLER FOR CONTROL CIRCUITS, SAFETY CIRCUITS, PLATFORM CONTROLS, 24 VAC RELAYS. GROUNDED ELECTRICAL SYSTEM.
CHAIN SAFETY DEVICE.
KEY LOCKS ON CONTROLS.
NON-SLIP SURFACE ON PLATFORM AND RAMP.
AUTOMATIC ACCESS RAMP
RATED FOR 600 LBS @ 10 F.P.M. VERTICAL LIFTING SPEED WITH A SAFETY FACTOR OF 5.0 TIMES RATED LOAD.
- CONSTRUCTION:** 1 1/2" X 1 1/2" X 1/4" STEEL TUBE FRAME.
14 GAUGE C.R.S. MACHINE CABINET
13 GAUGE C.R.S. PLATFORM
11 GAUGE C.R.S. RAMP
1" OD X 11 GAUGE STEEL TUBE GUARD RAIL.

OPTIONS:

CALL SEND SWITCHES, ONE FOR UPPER LANDING, ONE MOUNTED TO TOWER. BOLT ON PLATFORM, UPPER LANDING GATE

MANUAL CRANK
INSERT
LOCATION



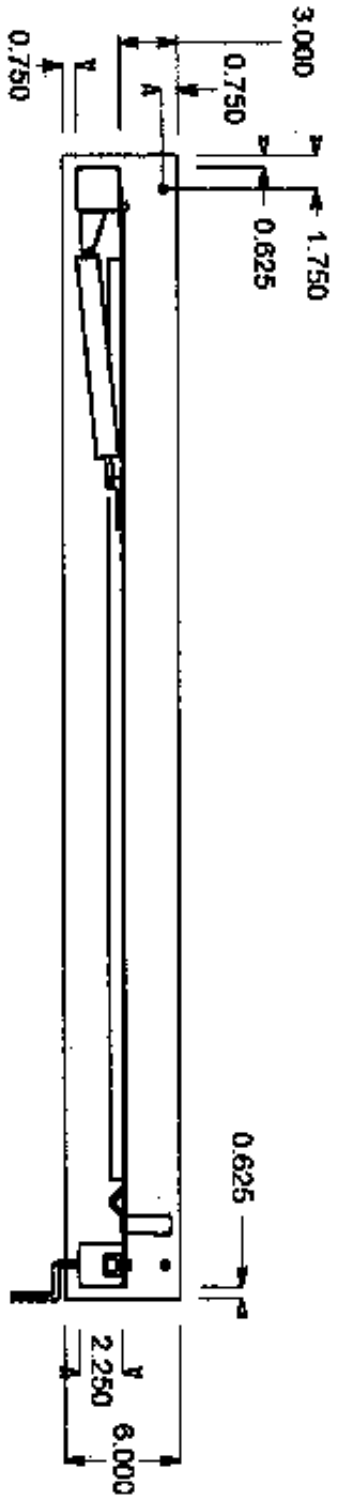
72"
LANDING
HEIGHT,
MAXIMUM

(SEE ANCHOR MOUNTING DETAIL)

4" THICK 3500LB PSI REINFORCED CONCRETE SLAB FOR MOUNTING
PLATFORM LENGTH 48"; PLATFORM WIDTH 32 1/4"; RAMP LENGTH 12"

PL72 SIDE ELEVATION

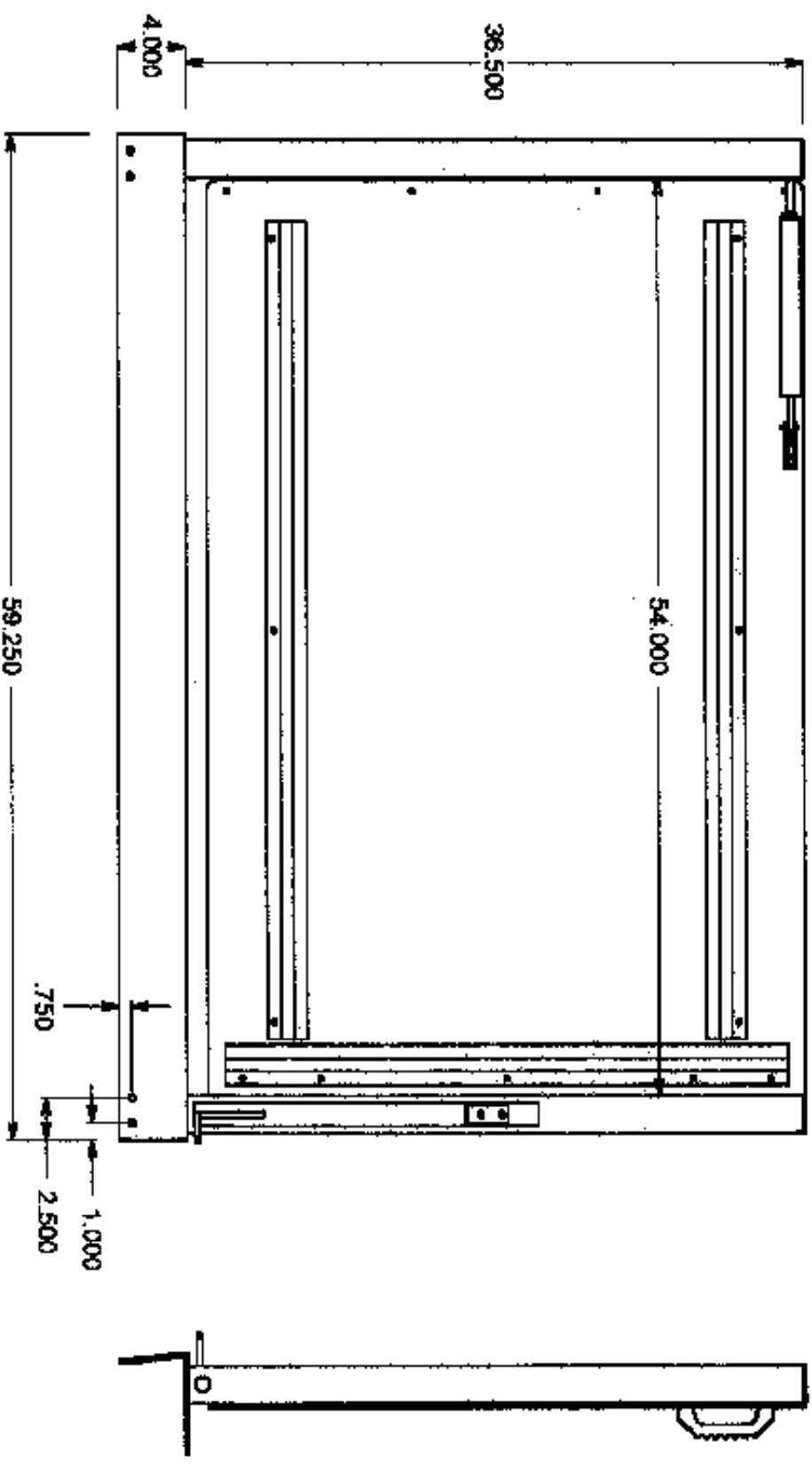
90 degree Exit 54" upper landing gate



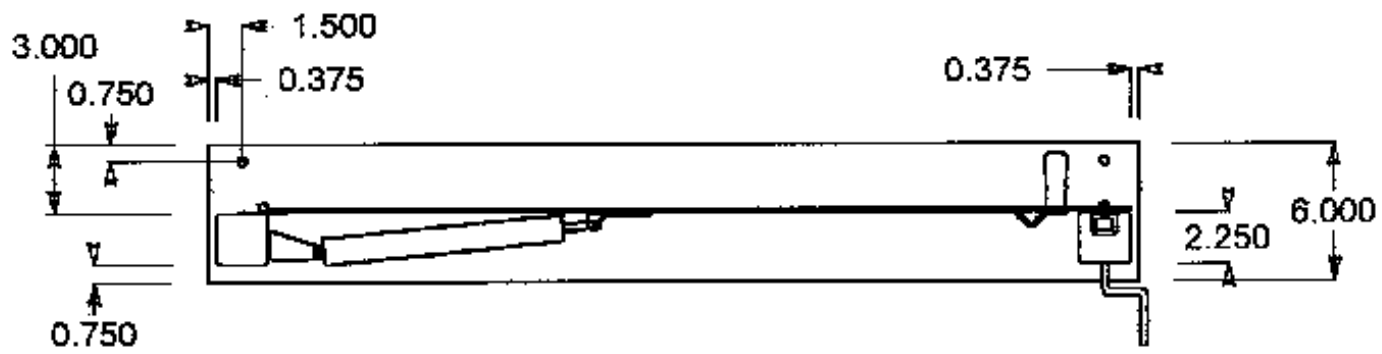
Hinge post

Left hand opening

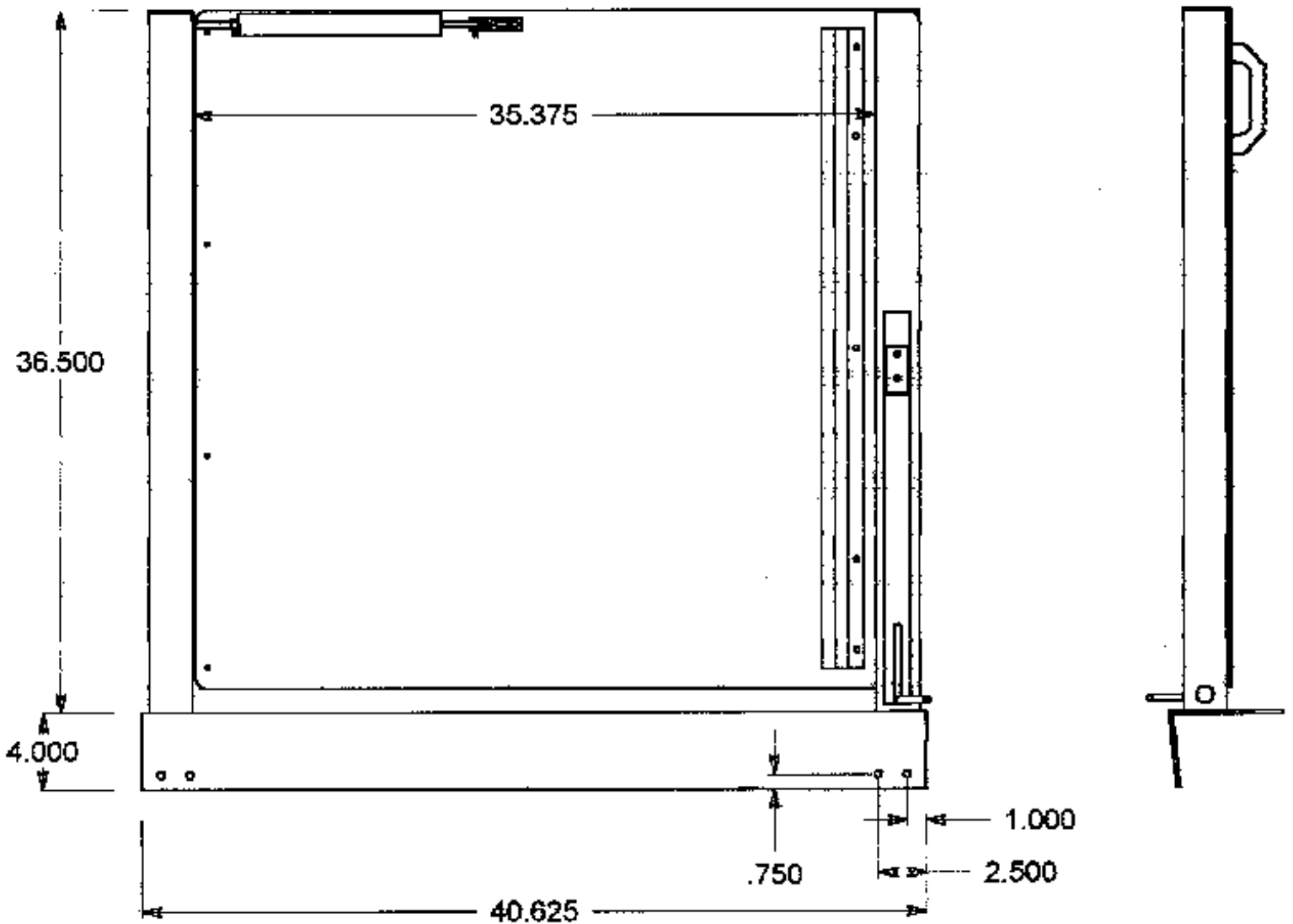
Lock post



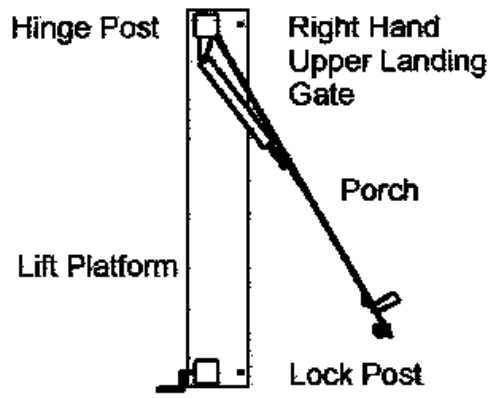
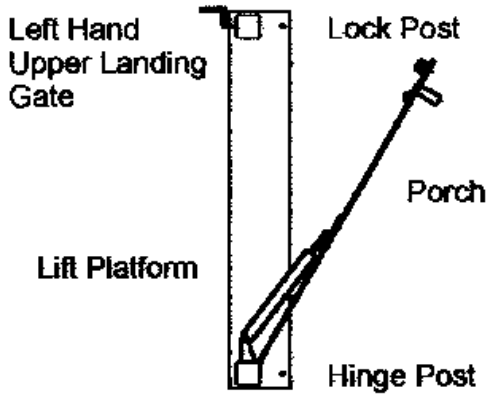
Large 35 3/8" upper landing gate



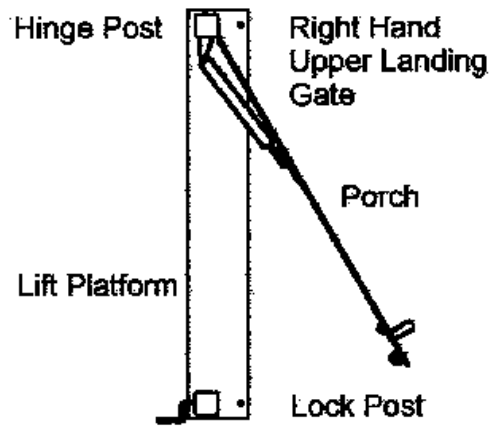
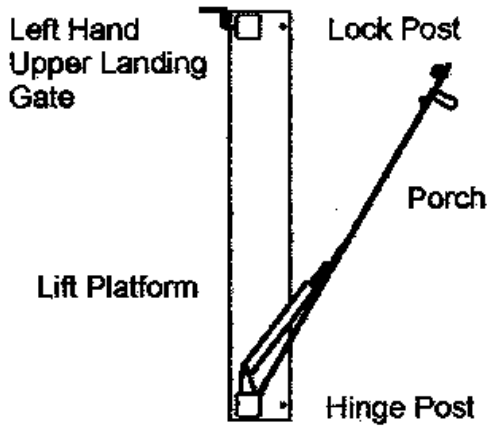
Hinge post Left hand opening Lock post



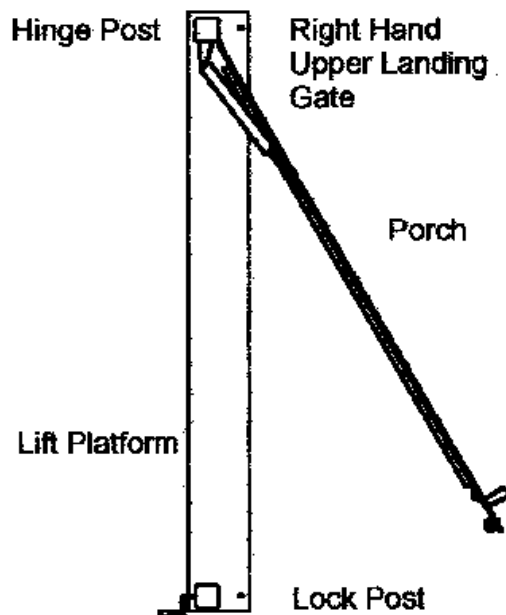
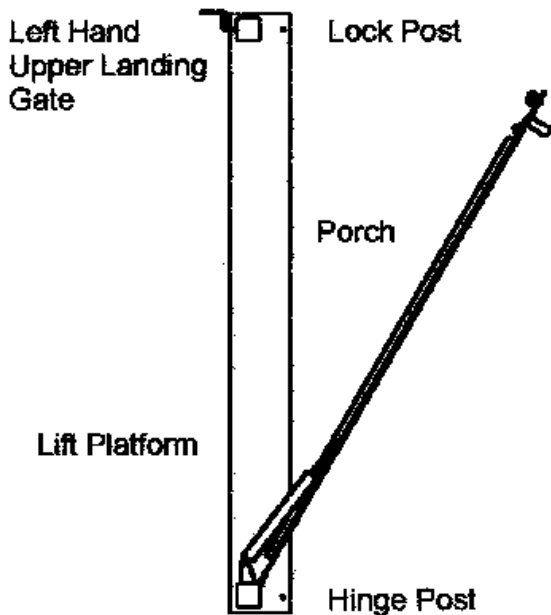
UPPER LANDING GATES - 32 1/4 INCH OPENING - STANDARD
(Indicate by circling desired gate arrangement)



UPPER LANDING GATES- 35 3/8 INCH OPENING
(Indicate by circling desired gate arrangement)



UPPER LANDING GATES- 90 DEGREE- 54 INCH OPENING
(Indicate by circling desired gate arrangement)

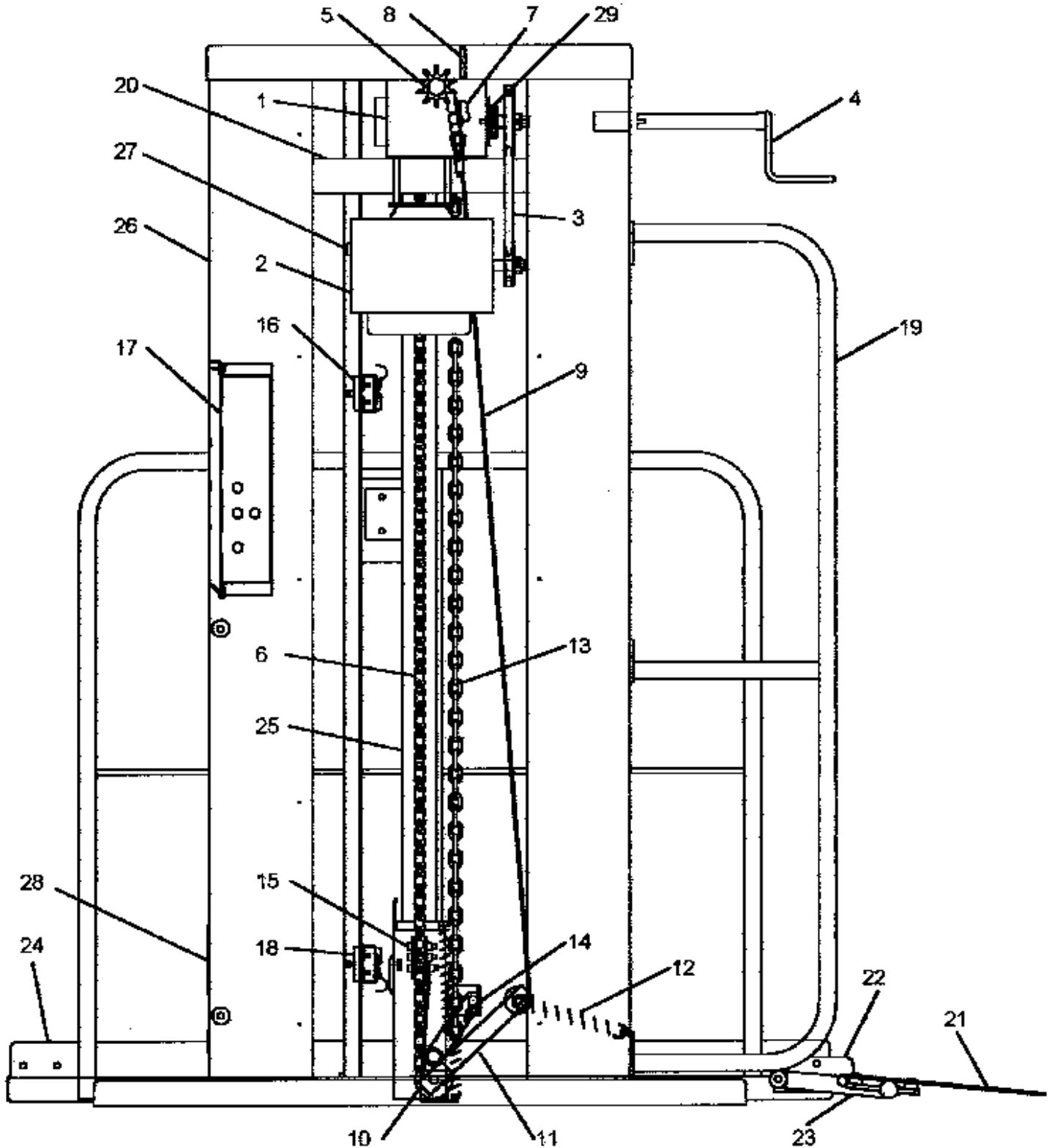


Vertical Home Lift Parts Layout

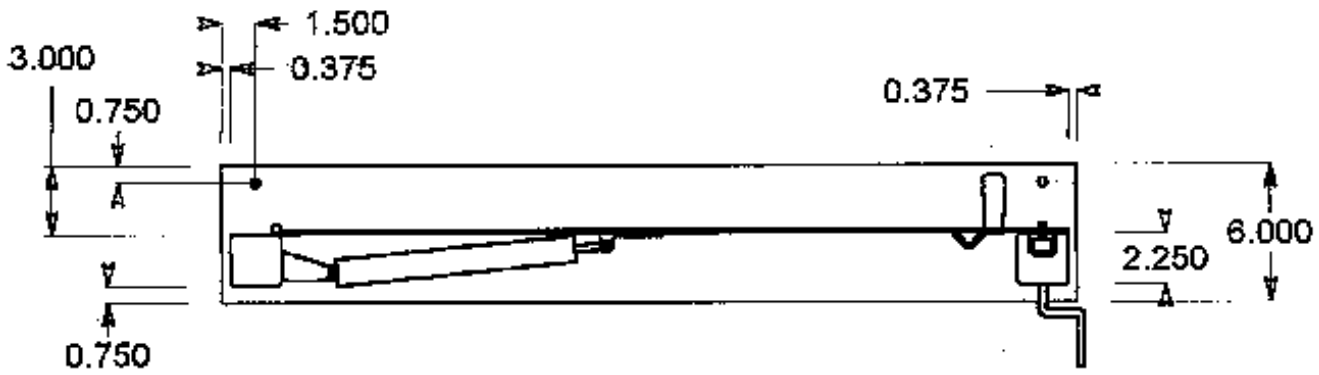
- 1. gearbox
- 2. motor
- 3. 'V' belt
- 4. crank
- 5. drive sprocket
- 6. chain
- 7. chain knuckle
- 8. chain down stop
- 9. cable

- 10. bottom idler
- 11. chain tensioner
- 12. tensioner spring
- 13. safety chain
- 14. safety catch
- 15. chain bolts
- 16. upper limit sw.
- 17. electrical box
- 18. lower limit sw.
- 19. roller bar

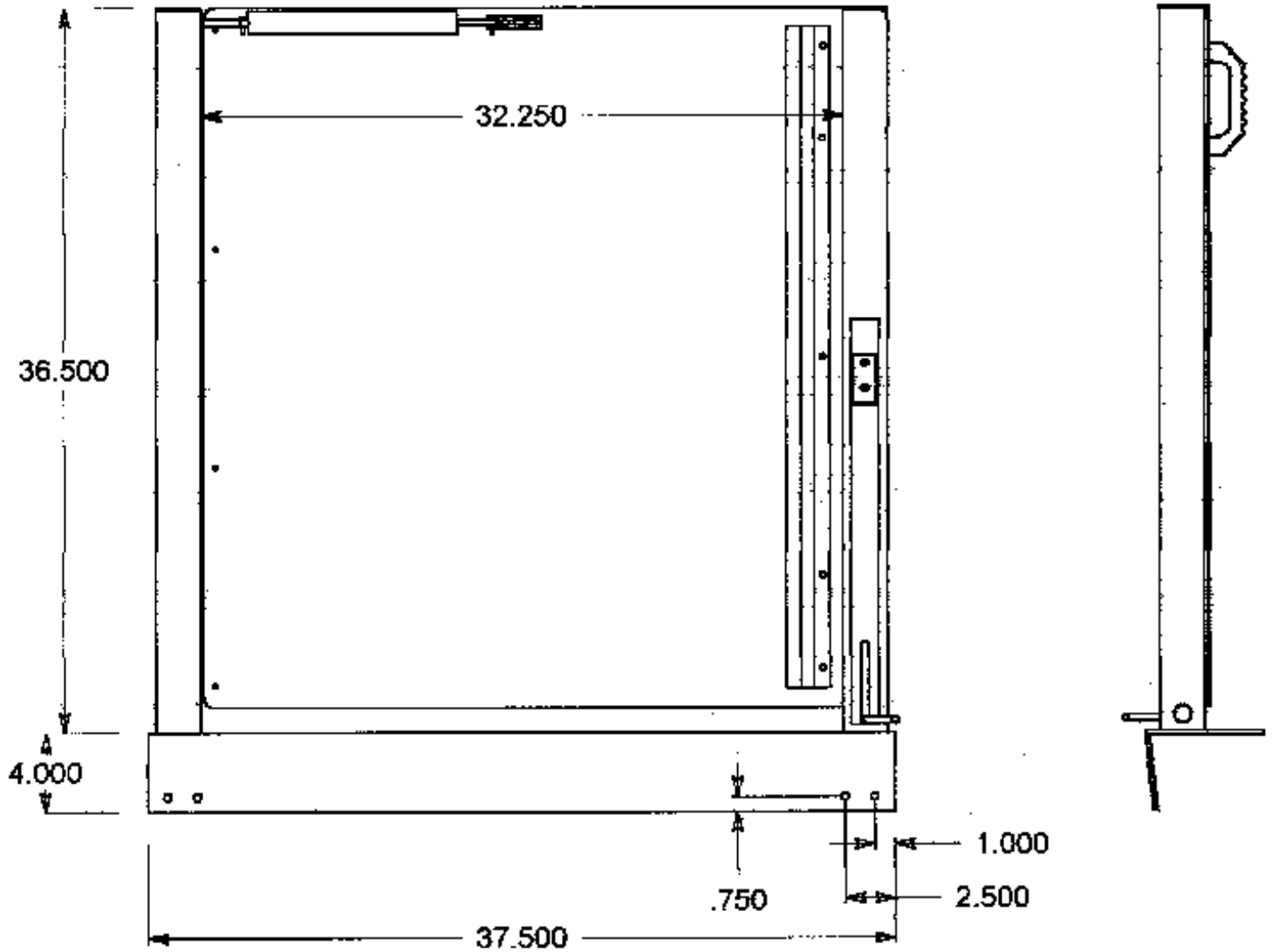
- 20. gear box support
- 21. ramp
- 22. ramp mounting plate
- 23. ramp actuator arm
- 24. platform
- 25. post
- 26. tower
- 27. motor manual reset
- 28. name plate
- 29. friction disc



Standard 32 1/4" upper landing gate



Hinge post Left hand opening Lock post



Standard 32 1/4" upper landing gate



*Hinge post Left hand opening Lock post-
Option Call
Send On
Post*

