

Outside Lifts

Installation & Owner's Manual

 **Harmar**
America's Lift Leader™

www.harmar.com | 800-833-0478



AL030 Power Tote Folding Manual Wheelchair Lift
Capacity: 100 lbs



AL010/050 Micro Power Chair / Scooter Lift
Capacity: 135 lbs



AL015 Micro Scooter Lift
Capacity: 100 lbs



AL100 Universal Lift
Capacity: 350 lbs



AL160 Low Profile Universal Scooter Lift
Capacity: 350 lbs



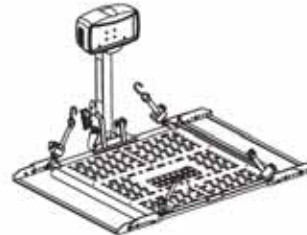
AL300 Universal Scooter/Power Chair Lift
Capacity: 350 lbs



AL300RV RV Lift Scooter/Power Chair Lift
Capacity: 350 lbs



AL500 Universal Power Chair Lift
Capacity: 350 lbs



AL301XL Extra Wide Universal Power Chair Lift
Capacity: 350 lbs



AL560 Auto Hold Down Power Chair Lift
Capacity: 350 lbs



AL560XL Automatic Extra Large Power Chair Lift
Capacity: 350 lbs



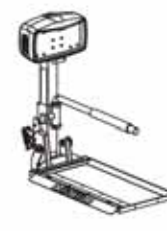
AL570 Auto Power Chair Lift
Capacity: 350 lbs



AL570 Extra Large Power Chair Lift
Capacity: 350 lbs



AL580 Power Chair Lift
Capacity: 350 lbs



AL580XL Extra Large Power Chair Lift
Capacity: 350 lbs



AL585-SEL Power Chair Lift
Capacity: 250 lbs



AL585-SS Power Chair Lift
Capacity: 250 lbs



AL100HD Heavy Duty Scooter Lift
Capacity: 400 lbs



AL300HD Heavy Duty Scooter/Power Chair Lift
Capacity: 400 lbs



AL500HD Heavy Duty Power Chair Lift
Capacity: 400 lbs



AL301XLHD Extra Wide Heavy Duty Power Chair Lift
Capacity: 400 lbs

Read and understand this manual thoroughly before attempting to install or operate the lift. If you have any questions, please contact your Authorized Harmar Dealer or Harmar's Technical Service Department.

P 800-833-0478 | F 866-234-5680 | TECH@HARMAR.COM

TEC0093 160406

Dealer Name & Contact Information:

Serial # of Your Lift:

P/N: 610-00045 Rev B

Contents

Section 1: Owner

OPERATING YOUR LIFT

General Operation	3
AL010/050 and AL030 Micro Lifts	6
AL570 & AL570XL Lifts	7
Using a Swing-Away	8
Manual Override	10

SAFETY & MAINTENANCE 11

Section 2: Installer

PREPARATION

Tools Required	13
Unpacking the Lift	14
Installation Overview	15

INSTALLATION

Wiring the Vehicle	17
Vehicle Hitch	19
Hitch Adapters	21
Lift Installation	
Hitch Post Mount	23-24
AL030 Bumper Mount	27
Swing-Away	25
AL030 Power Tote Ball Mount	27

CHAIR PREPARATION 27

Anchor Plate	28
U-Bolt Kit	29

LIFT ADJUSTMENTS

AL015/AL100/AL100HD/AL160	30-31
AL010/050 and AL030	32
AL560 & AL560XL	33

AL560 & AL580 Hold-Down Arm ...	34
AL570 & AL570XL Chair Plow	35
Dock 'N' Lock: AL570 & AL570 XL	36-37

TROUBLESHOOTING 38-39

EXPLODED VIEWS

AL030	40
AL010/050	41
AL015	42
AL100	43
AL160	44
AL300	45
AL300RV	46
AL301XL	47
AL500	48
AL560	49
AL560XL	50
AL570	51
AL570XL	52
AL580	53
AL580XL	54
AL585SEL	55
AL585SS	56
AL100HD	57
AL300HD	58
AL301XLHD	59
AL500HD	60

ELECTRICAL HARDWARE 61

WARRANTY 63

NOTE: The following symbols indicate areas where you should take special care to avoid danger to individuals or property.



WARNING

Hazardous situation. If not avoided, could result in serious injury to installer or user.



CAUTION!

Hazardous situation. If not avoided, could result in serious damage to property.

GENERAL OPERATION

1. LOWERING THE LIFT

Insert key and switch to 'ON' position. Press 'DOWN' on toggle switch. The platform will unfold. Continue to lower until platform reaches the ground and becomes level. [Figure 3-1]

DO NOT over-lower to the point where the vehicle begins to rise. This will damage the lift.

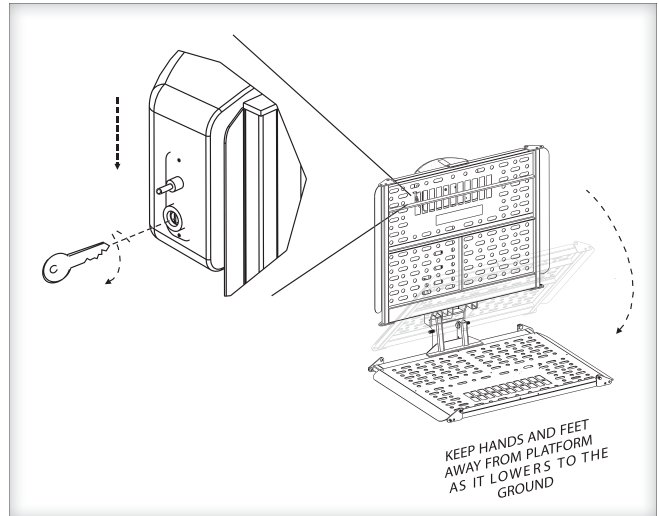


Figure 3-1

2. DRIVE CHAIR ONTO PLATFORM.

Drive slowly, stopping when the drive wheels fall between the platform bars on the side or center depending on the lift and chair model. [Figure 3-2]

IMPORTANT

Positioning the chair properly on the platform is critical to ensure it is properly locked onto the lift. Always verify wheels are captured by cradles or bars. Please consult your dealer on the specifics of your application.

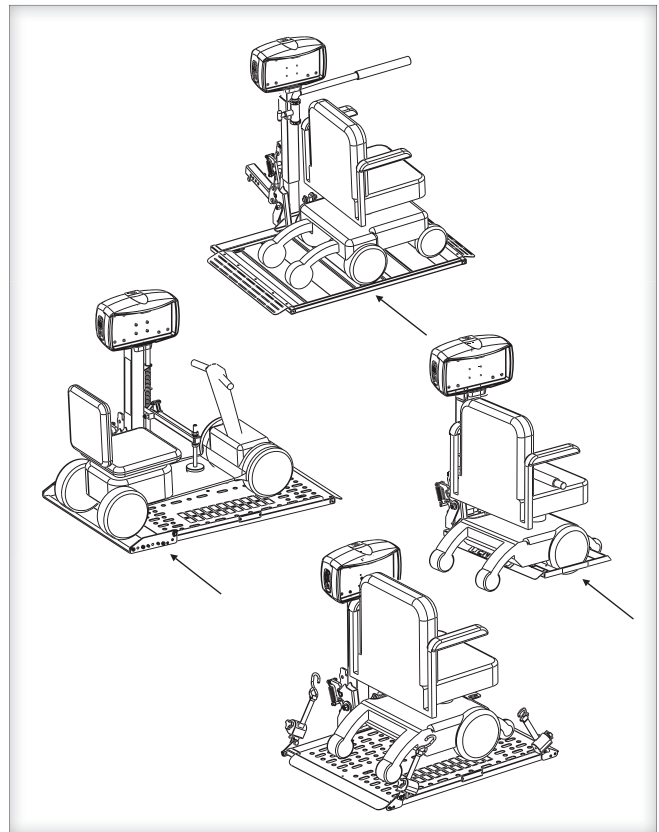


Figure 3-2

3. SECURING THE CHAIR

Depending on your lift model and the type of securement device it uses, you may wish to raise the platform halfway, using the 'UP' toggle switch, in order to avoid having to bend over while you attach straps or flip the chair's armrest out of the way of the hold-down arm. [Figure 4-1]

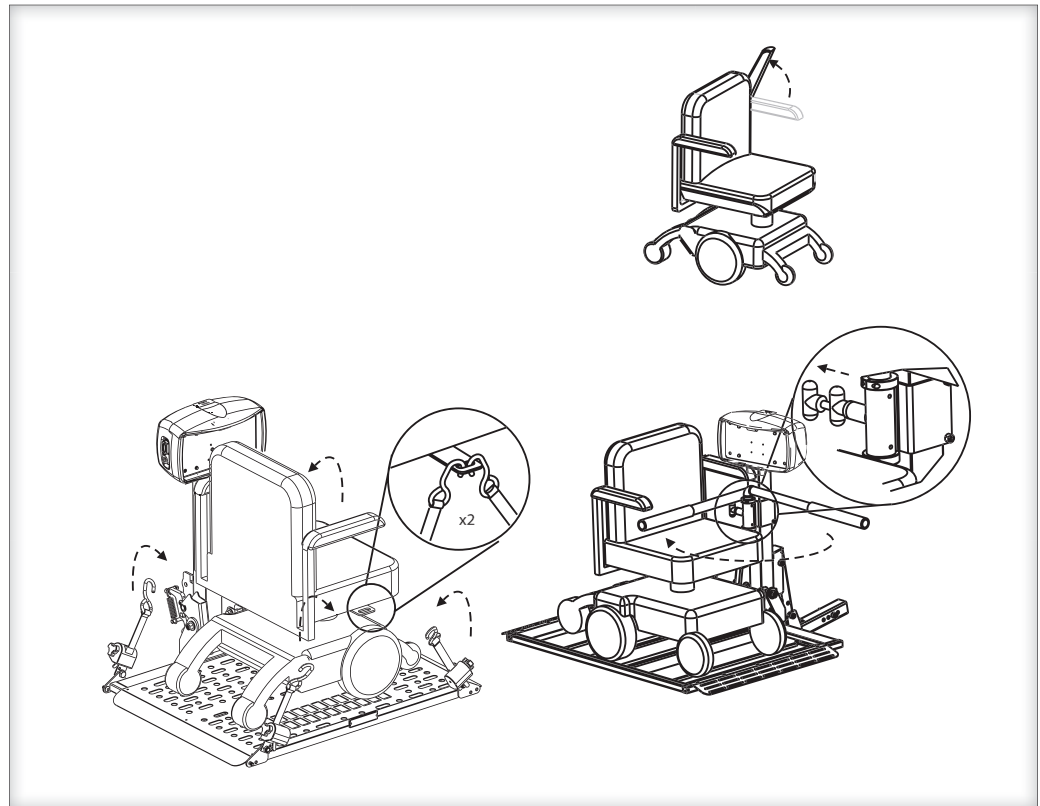


Figure 4-1

4. RAISING THE LIFT

When the chair is secure, use the 'UP' toggle switch to continue raising the lift. Stop when it reaches the top of travel when you hear the clutch sound. Twist the key to remove.

[Figure 4-2]

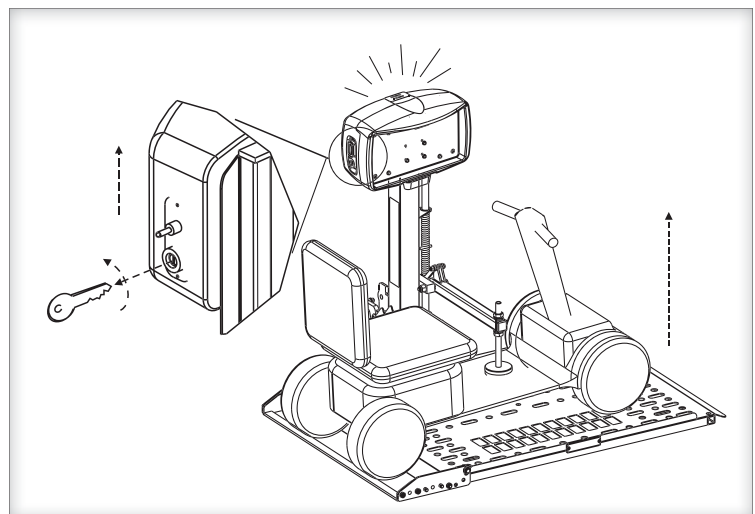


Figure 4-2

5. UNLOADING THE CHAIR

Insert the key and switch to 'ON' position. Press 'DOWN' to lower the lift. Do NOT continue travel to the point where the vehicle rises; that will damage the lift.

[Figure 5-1]

Drive the chair off the platform carefully. When the chair is unloaded, press 'UP' and the platform will automatically fold. (Except AL010/050 and AL030).

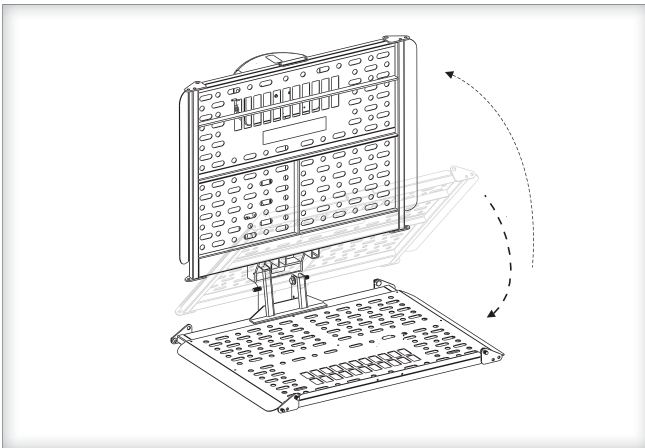


Figure 5-1



CAUTION

These are general instructions. Specifics may vary based on your chair model and lift combination. Please follow the specific instruction suggested by your dealer.



CAUTION

Always verify the chair or scooter is held firmly in place prior to transport.

- **Always** run the lift fully to the top for transport. The lift will make a ratcheting sound which indicates that all mechanisms are locked and prepared for travel.
- **Never** attempt to move the vehicle without the lift being in the full up or stowed position. This may damage the lift.
- **Drive slowly** over rough terrain such as pot holes, unpaved roads, railroad tracks. Excessive loads from rough driving will damage your lift and is not covered by the warranty.
- **If you notice any damage, stop using the lift immediately.** Do not attempt to transport a chair or scooter with a compromised lift. Damage to your chair, lift, vehicle may occur. Take the lift to your nearest dealer and have it evaluated prior to further use.

AL010/050 AND AL030 MICRO LIFTS

MICRO LIFTS / FOLDING

AL010/050 and **AL030** models require the platform to be folded and unfolded manually.

The locking mechanism consists of a pin and keeper plate, which must be disengaged before unfolding. Simply hold the platform firmly and lower it approximately 2" to allow the platform to disengage and unfold. *[Figure 6-1]*



WARNING

Hold platform firmly while lowering the lift to its down position.

To lock in the upright position, lift platform up before the pin engages the keeper plate. *[Figure 6-2]*



WARNING

Hold platform firmly while raising the lift until the pin has engaged the keeper plate.

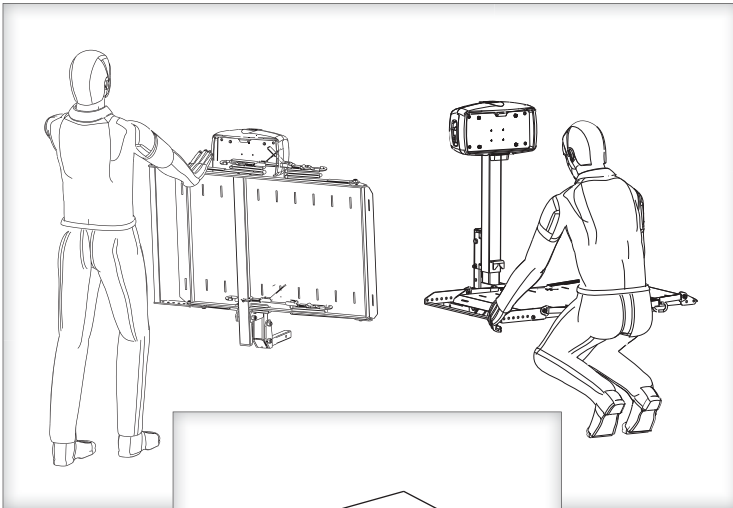


Figure 6-1

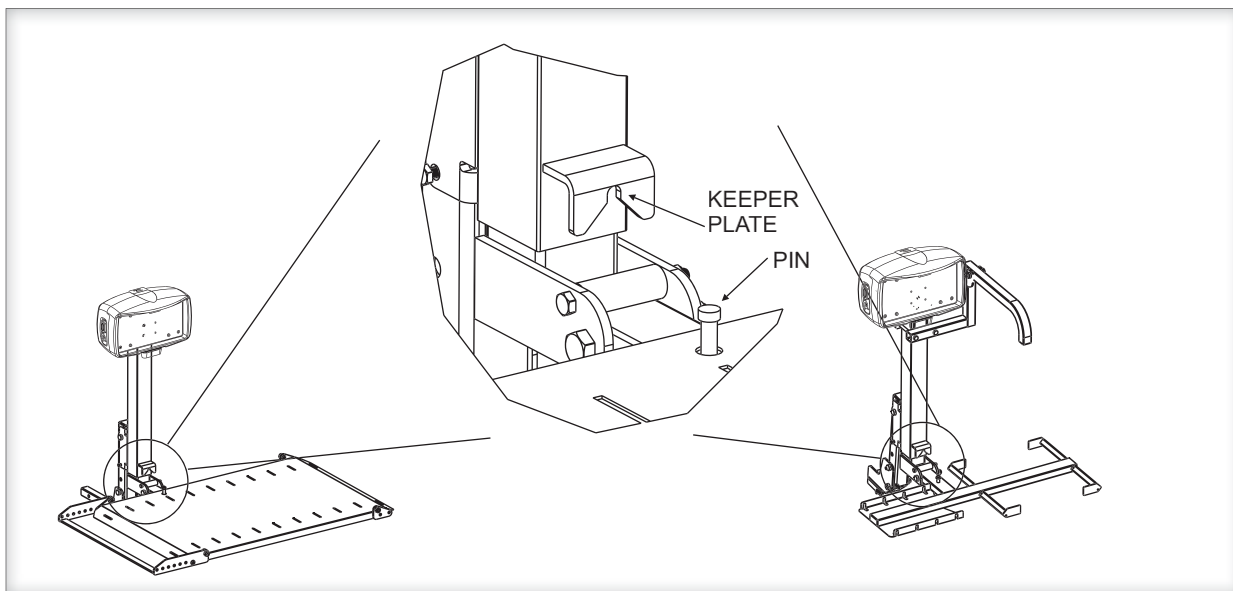
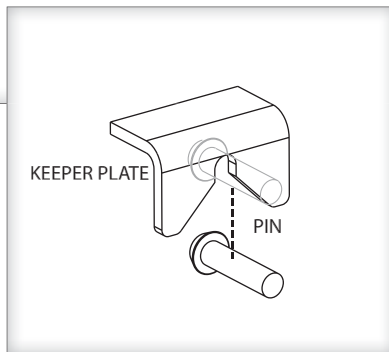


Figure 6-2