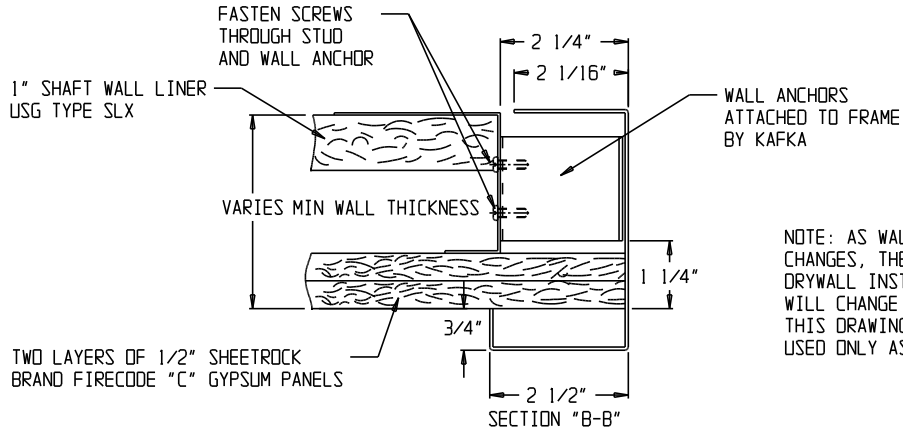
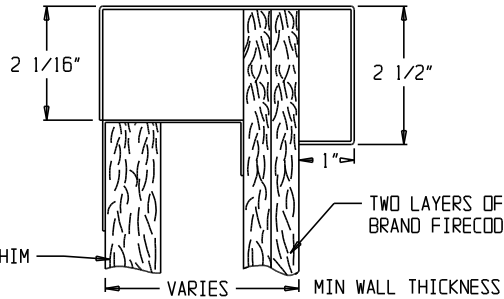


SECTION "A-A"

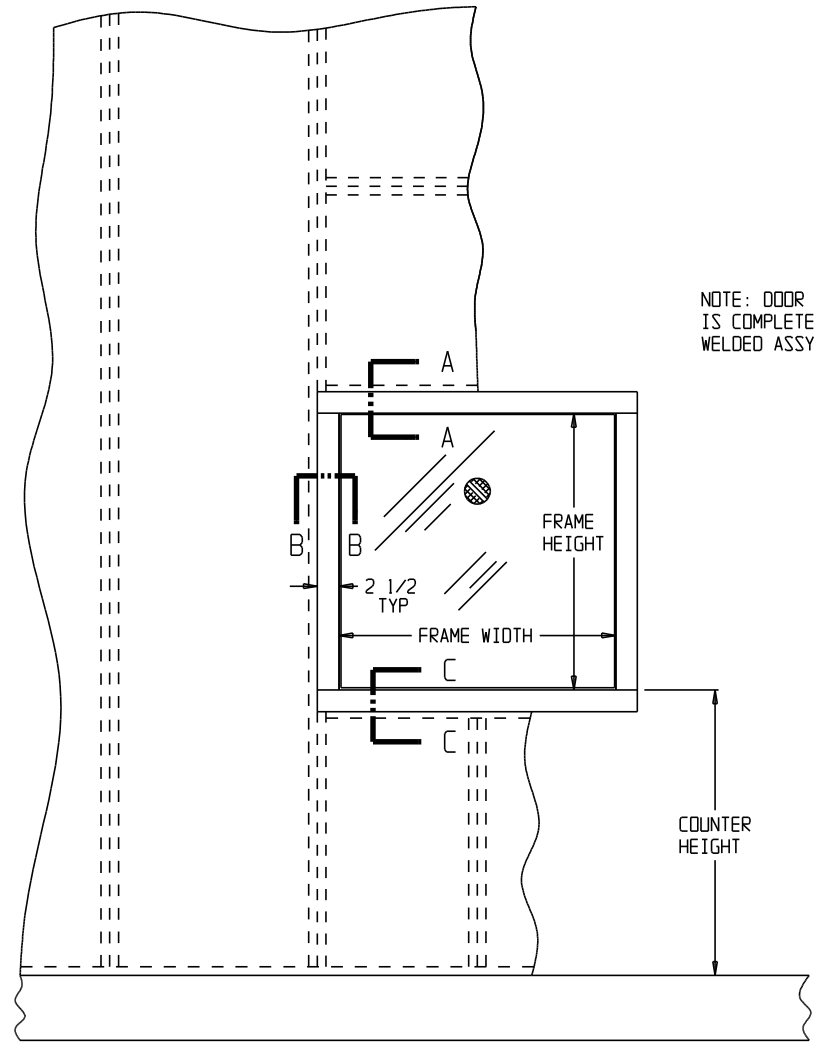


SECTION "B-B"

NOTE: AS WALL THICKNESS CHANGES, THE METHOD OF DRYWALL INSTALLATION WILL CHANGE ACCORDINGLY. THIS DRAWING SHOULD BE USED ONLY AS A REFERENCE.



SECTION "C-C"



NOTE: DOOR IS COMPLETE WELDED ASSY

TITLE: TYPICAL VARIATION OF DRYWALL CONSTRUCTION WITH UL LISTED 1 1/2 HOUR RATED COUNTER LOADING SWING DUMBWAITER FIRE DOOR

LEVEL 1
9/8/17

L.O. BY	DATE REQ
APPROVED	PAINT
DATE L.O.	SHEET 1 OF 1
SCALE 1/16" = 1"	# REQ'D

-B-	DWG NO. JJP	1000-727	JOB NO.
-----	----------------	----------	---------

WALL SHOWN BUILT TO UNDERWRITERS LABORATORIES STANDARD U438 2 HOUR WALL DESIGN

HOISTWAY TO BE BUILT BEFORE DUMBWAITER IS INSTALLED EXCEPT THE WALLS ARE TO BE OMITTED WHERE HOISTWAY DOORS OCCUR UNTIL THE DUMBWAITER IS INSTALLED & HOISTWAY DOORS ARE SET IN PLACE