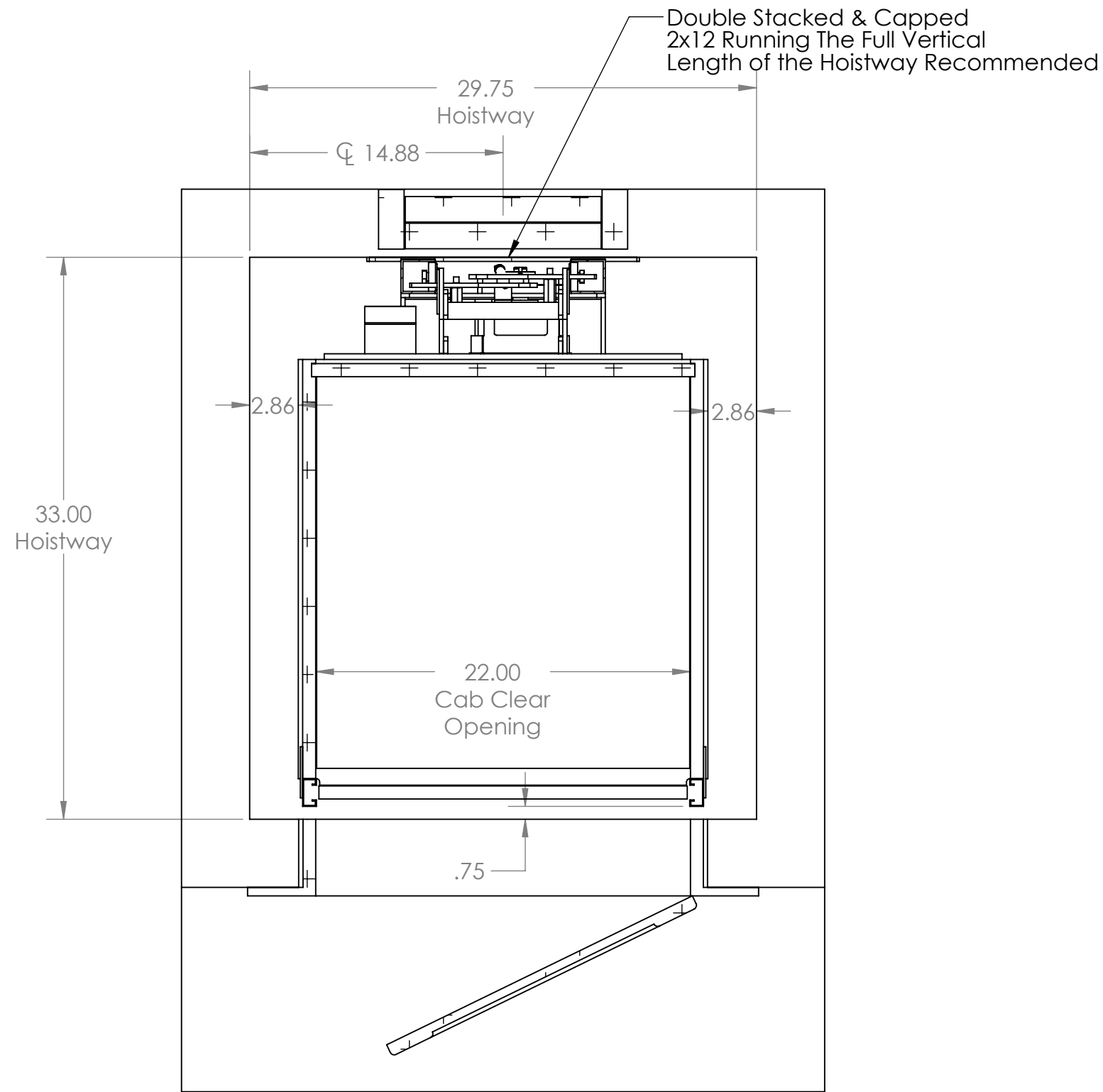


QS-200 Specifications

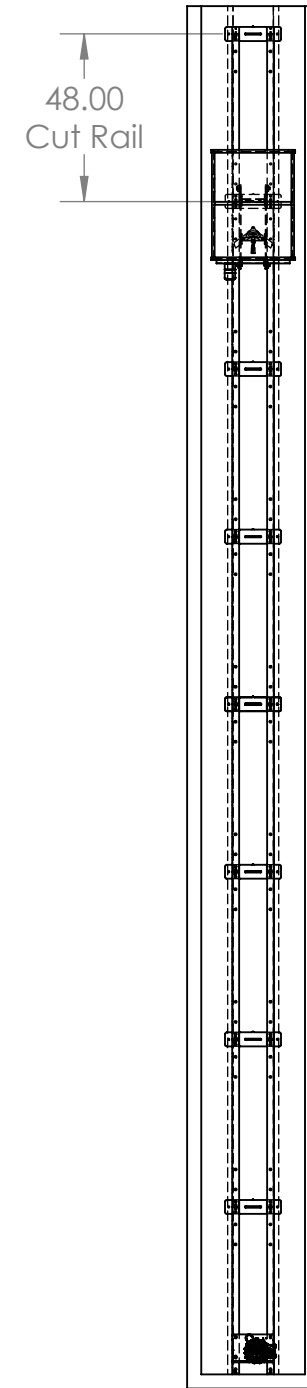
| | | |
|-------------------------|--|--|
| MODEL | | QS-200 |
| CAPACITY | | 200lbs |
| SPEED | | 32 FPM (Nominal) |
| DRIVE | | SPROCKET DRIVEN GEAR MOTOR |
| DOOR LOCKS | | HONEYWELL RELIALIGN ELECTROMECHANICAL INTERLOCKS |
| OPERATION | | AUTOMATIC OPERATION, MANUAL DOORS |
| FINISH | | PRE-FINISHED MAPLE |
| ELECTRICAL REQUIREMENTS | | CONTROLLER COMES EQUIPPED WITH A 120VAC PLUG/PIGTAIL. REQUIRES A DEDICATED CIRCUIT, 120VAC, 15AMP OUTLET WITHIN SIGHT OF THE LIFT. FOR JURISDICTIONS WHICH REQUIRE THE CONTROLLER TO BE HARDWIRED, HARD WIRE INTO APPROPRIATE DISCONNECTING MEANS. |
| CONTROL SYSTEM | | PLC, RELAY, PLUG'N'PLAY FIELD WIRING |
| CODE | | AMSE 17.1.7 |



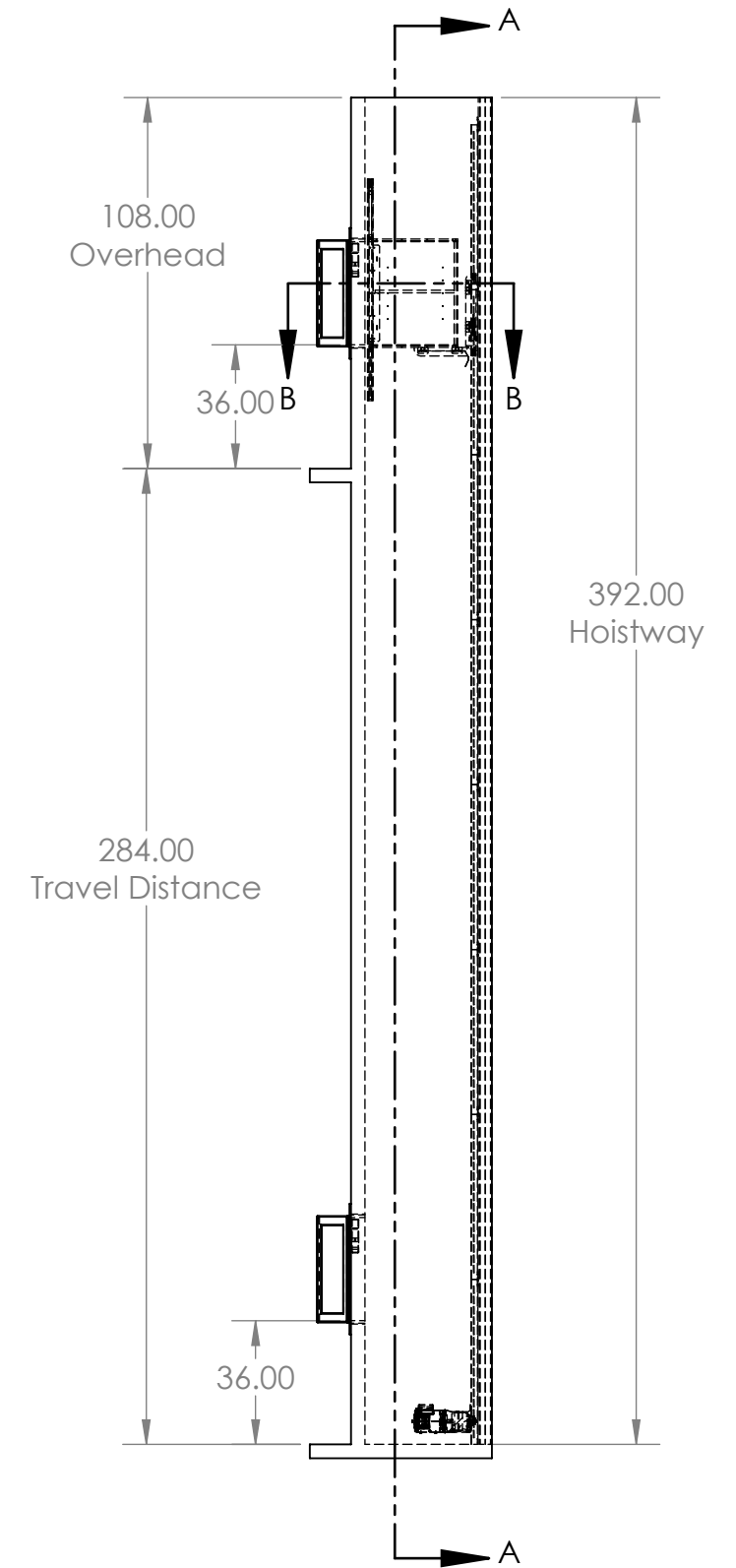
| | | | | | | | | | | |
|--|----------|----------|--------------------------|-----------------------------------|----------------------|-------------------|--|------|--------------|------------------|
| | Cab Size | 22x24x30 | PRE-FINISHED MAPLE | Single Opening | DO NOT SCALE DRAWING | | NAME | DATE | PROJECT NAME | |
| | RH Locks | 0 | Bottom Mount | 200lbs | | APPROVAL STATUS: | DRAWN | JCE | 8/23/19 | PROJECT LOCATION |
| | LH Locks | 2 | Doors & Frames BY OTHERS | Machine Access Door - Kill Switch | | APPROVED | THE INFORMATION CONTAINED IN THIS DRAWING IS THE SOLE PROPERTY OF PRECISION LIFT INDUSTRIES, LLC. ANY REPRODUCTION IN PART OR AS A WHOLE WITHOUT THE WRITTEN PERMISSION OF PRECISION LIFT INDUSTRIES, LLC IS PROHIBITED. | | | COMMENTS: |
| | | | | | | APPROVED AS NOTED | | | | |
| | | | | | REVISE AND RESUBMIT | SIZE | DWG. NO. | REV. | | |
| | | | | | SIGNATURE | A | | | | |



SECTION B-B
SCALE 1 : 8



SECTION A-A
SCALE 1 : 55



Recommend Front Face of Hoistway Open for Installation



| | | | |
|----------|----------|--------------------------|-----------------------------------|
| Cab Size | 22x24x30 | PRE-FINISHED MAPLE | Single Opening |
| RH Locks | 0 | Bottom Mount | 200lbs |
| LH Locks | 2 | Doors & Frames BY OTHERS | Machine Access Door - Kill Switch |
| | | | |

| | | | |
|----------------------|--|---------|-------------------------|
| DO NOT SCALE DRAWING | NAME | DATE | PROJECT NAME |
| | JCE | 8/23/19 | |
| APPROVAL STATUS: | PROPRIETARY AND CONFIDENTIAL | | PROJECT LOCATION |
| APPROVED | THE INFORMATION CONTAINED IN THIS DRAWING IS THE SOLE PROPERTY OF PRECISION LIFT INDUSTRIES, LLC. | | COMMENTS: |
| APPROVED AS NOTED | ANY REPRODUCTION IN PART OR AS A WHOLE WITHOUT THE WRITTEN PERMISSION OF PRECISION LIFT INDUSTRIES, LLC IS PROHIBITED. | | SIZE DWG. NO. REV. |
| REVISE AND RESUBMIT | | | A |
| SIGNATURE | | | SCALE 1:16 SHEET 2 OF 4 |