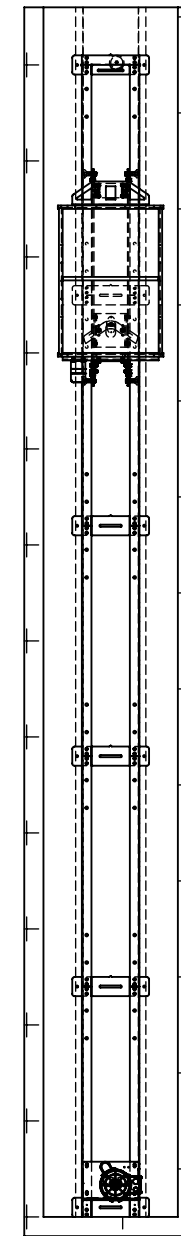
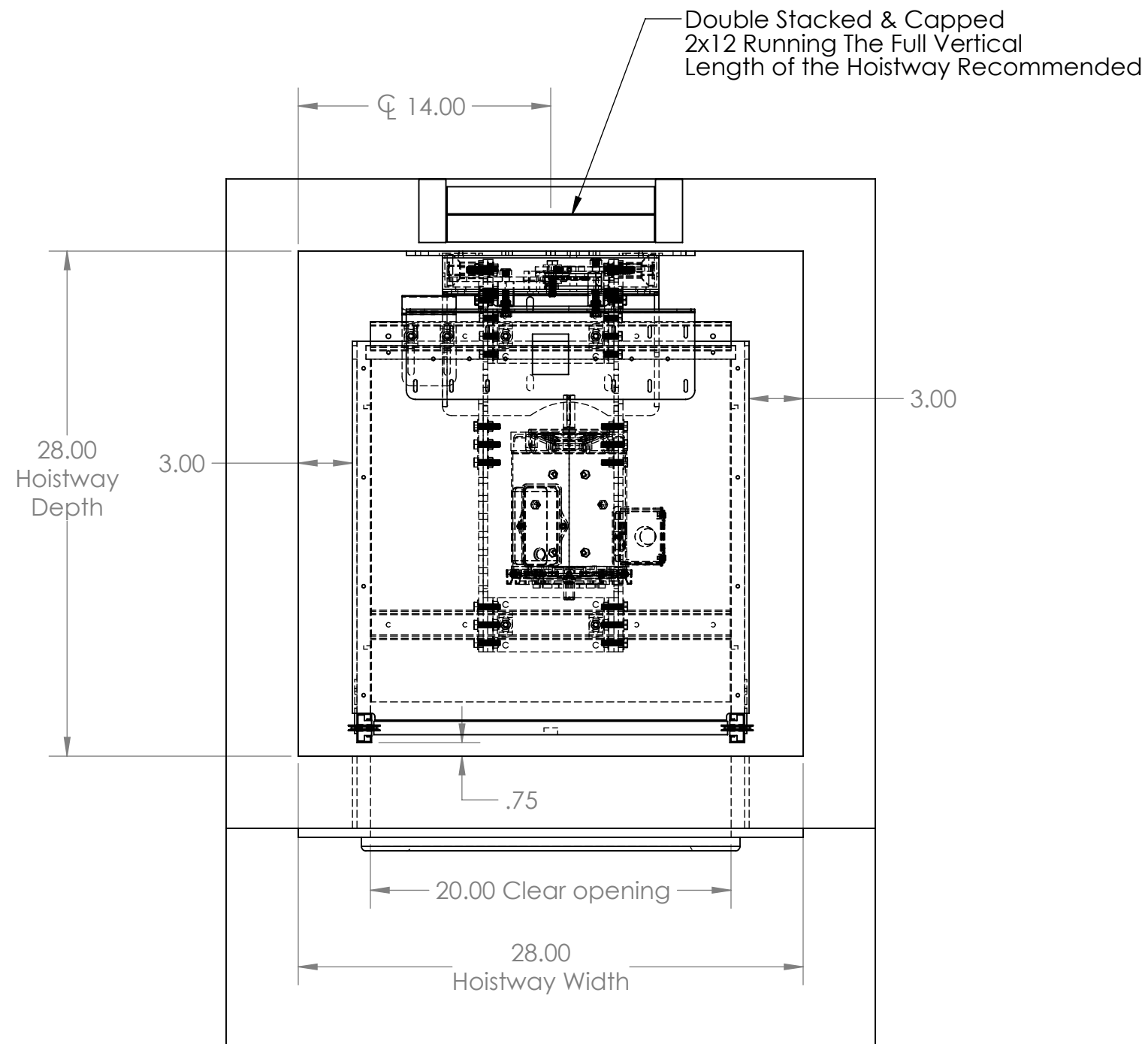


QS-200 Specifications

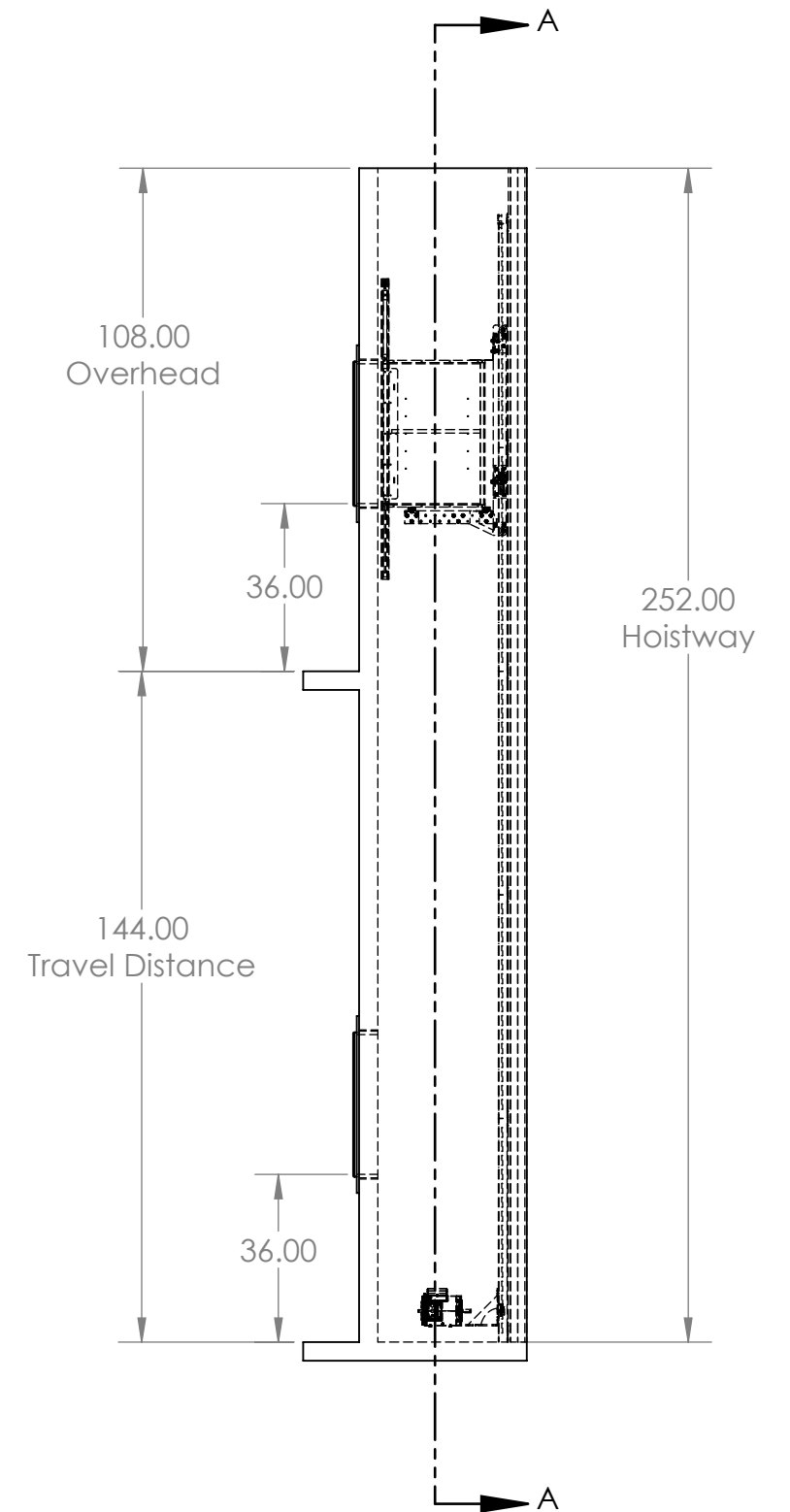
MODEL		QS-200
CAPACITY		200lbs
SPEED		32 FPM (Nominal)
DRIVE		SPROCKET DRIVEN GEAR MOTOR
DOOR LOCKS		HONEYWELL RELIALIGN ELECTROMECHANICAL INTERLOCKS
OPERATION		AUTOMATIC OPERATION, MANUAL DOORS
FINISH		White Laminate
ELECTRICAL REQUIREMENTS		CONTROLLER COMES EQUIPPED WITH A 120VAC PLUG/PIGTAIL. REQUIRES A DEDICATED CIRCUIT, 120VAC, 15AMP OUTLET WITHIN SIGHT OF THE LIFT. FOR JURISDICTIONS WHICH REQUIRE THE CONTROLLER TO BE HARDWIRED, HARD WIRE INTO APPROPRIATE DISCONNECTING MEANS.
CONTROL SYSTEM		PLC, RELAY, PLUG'N'PLAY FIELD WIRING
CODE		AMSE 17.1.7



	Cab Size	20 x 20 x 30	White Laminate	Single Opening	DO NOT SCALE DRAWING		NAME	DATE	PROJECT NAME	
	RH Locks	0	Bottom Mount	200lbs		APPROVAL STATUS:	DRAWN	JCE	1/31/20	PROJECT LOCATION
	LH Locks	2	Doors & Frames BY OTHERS			APPROVED	PROPRIETARY AND CONFIDENTIAL THE INFORMATION CONTAINED IN THIS DRAWING IS THE SOLE PROPERTY OF PRECISION LIFT INDUSTRIES, LLC. ANY REPRODUCTION IN PART OR AS A WHOLE WITHOUT THE WRITTEN PERMISSION OF PRECISION LIFT INDUSTRIES, LLC IS PROHIBITED.			COMMENTS:
						APPROVED AS NOTED				REVISE AND RESUBMIT
									SHEET 1 OF 4	



SECTION A-A
SCALE 1 : 40

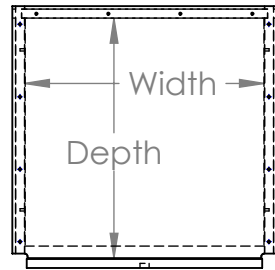


Recommend Front Face of Hoistway Open for Installation

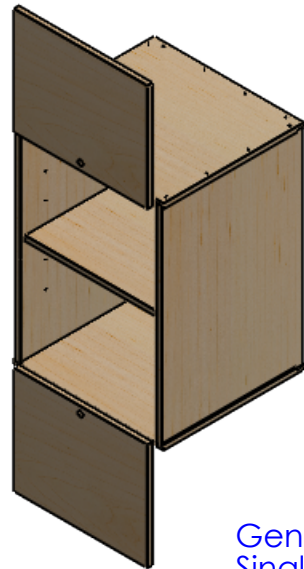


Cab Size	20 x 20 x 30	White Laminate	Single Opening
RH Locks	0	Bottom Mount	200lbs
LH Locks	2	Doors & Frames BY OTHERS	

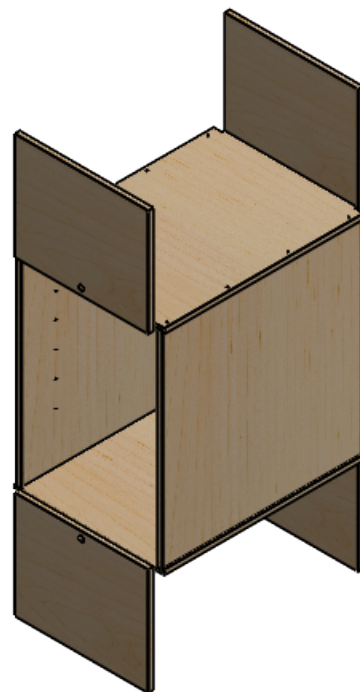
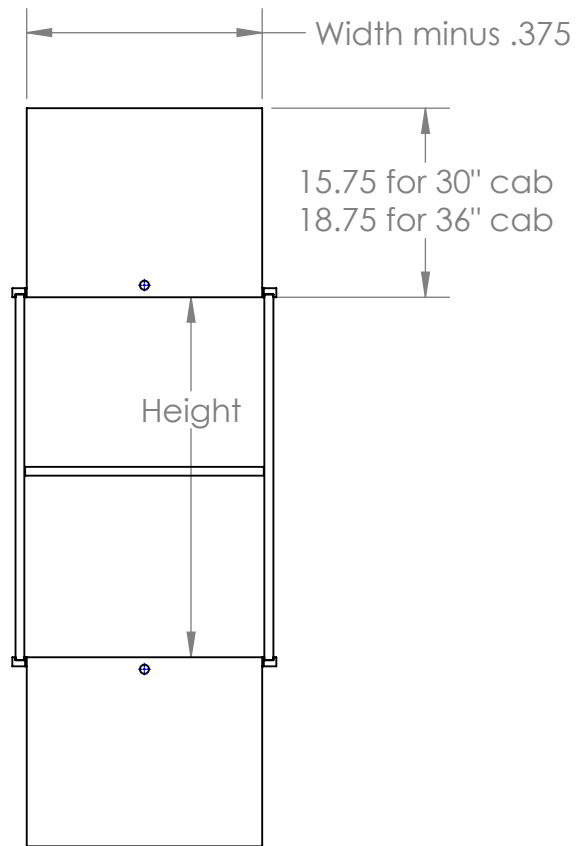
DO NOT SCALE DRAWING	NAME	DATE	PROJECT NAME
	JCE	1/31/20	
APPROVAL STATUS:	PROJECT LOCATION		COMMENTS:
APPROVED			
APPROVED AS NOTED	THE INFORMATION CONTAINED IN THIS DRAWING IS THE SOLE PROPERTY OF PRECISION LIFT INDUSTRIES, LLC. ANY REPRODUCTION IN PART OR AS A WHOLE WITHOUT THE WRITTEN PERMISSION OF PRECISION LIFT INDUSTRIES, LLC IS PROHIBITED.		SCALE 1:16
REVISE AND RESUBMIT	SIZE DWG. NO.		REV.
SIGNATURE	A		SHEET 2 OF 4



Example:
Shelf shown



Generic
Single
Opening



Generic
Pass
Through

REAR RAIL CONFIGURATION CHART

CAB WIDTH	MIN SHAFT WIDTH	CAB DEPTH	CRITICAL SHAFT DEPTH
14"	24"	14"	21"-22"
15"	24"	15"	22"-23"
16"	24"	16"	23"-24"
17"	25"	17"	24"-25"
18"	26"	18"	25"-26"
19"	27"	19"	26"-27"
*20"	28"	*20"	27"-28"
21"	29"	21"	28"-29"
22"	30"	22"	29"-30"
23"	31"	23"	30"-31"
*24"	32"	*24"	31"-32"
SIZES OVER 24" REQUIRE 300LB OVERSIZED UPCHARGE			
25"	33"	25"	32"-33"
26"	34"	26"	33"-34"
27"	35"	27"	34"-35"
28"	36"	28"	35"-36"
29"	37"	29"	36"-37"
*30"	38"	*30"	37"-38"
CAB HEIGHTS AVAILABLE IN 30.00" & 36.00"			
*STANDARD SIZES			

SIDE RAIL CONFIGURATION CHART

CAB WIDTH	SHAFT WIDTH	CAB DEPTH	MINIMUM FRONT ONLY SHAFT DEPTH	CRITICAL PASS THRU SHAFT DEPTH
14"	24"	-	-	-
15"	24"	-	-	-
16"	24"	-	-	-
17"	25"	17"	22"	21"
18"	26"	18"	23"	22"
19"	27"	19"	24"	23"
*20"	28"	*20"	25"	24"
21"	29"	21"	26"	25"
22"	30"	22"	27"	26"
23"	31"	23"	28"	27"
*24"	32"	*24"	29"	28"
SIZES OVER 24" REQUIRE 300LB OVERSIZED UPCHARGE				
25"	33"	25"	30"	29"
26"	34"	26"	31"	30"
27"	35"	27"	32"	31"
28"	36"	28"	33"	32"
29"	37"	29"	34"	33"
*30"	38"	*30"	35"	34"
CAB HEIGHTS AVAILABLE IN 30.00" & 36.00"				
*STANDARD SIZES				



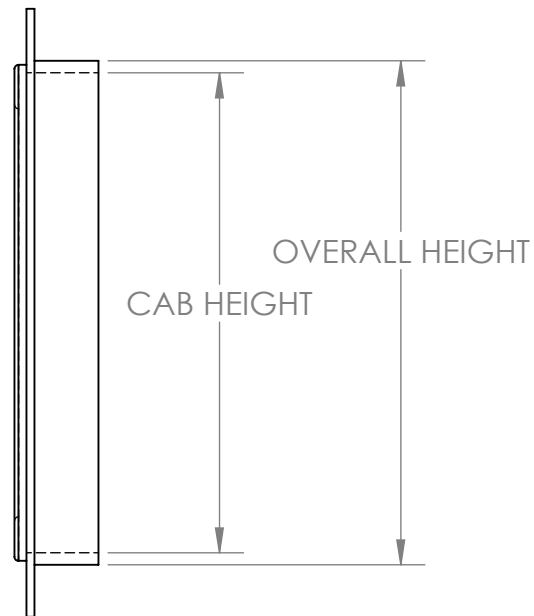
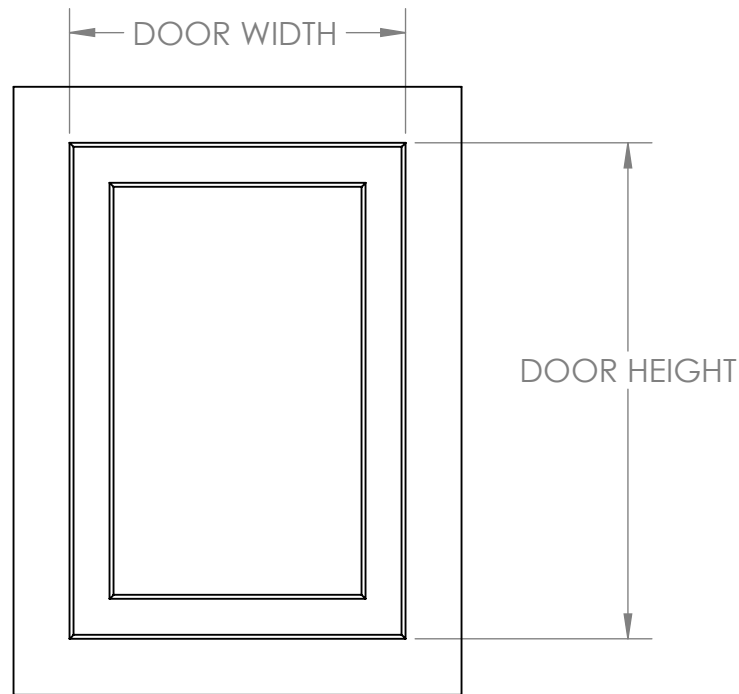
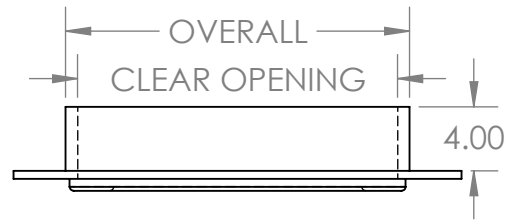
Cab Size	20 x 20 x 30	White Laminate	Single Opening
RH Locks	0	Bottom Mount	200lbs
LH Locks	2	Doors & Frames BY OTHERS	

DO NOT SCALE DRAWING

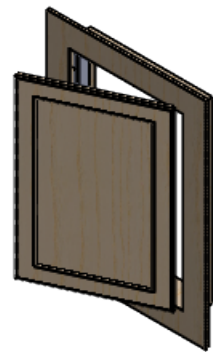
APPROVAL STATUS:	NAME	DATE	PROJECT NAME
APPROVED	JCE	1/31/20	
APPROVED AS NOTED			PROJECT LOCATION
REVISE AND RESUBMIT			COMMENTS:
SIGNATURE			SIZE DWG. NO. REV.

THE INFORMATION CONTAINED IN THIS DRAWING IS THE SOLE PROPERTY OF PRECISION LIFT INDUSTRIES, LLC. ANY REPRODUCTION IN PART OR AS A WHOLE WITHOUT THE WRITTEN PERMISSION OF PRECISION LIFT INDUSTRIES, LLC IS PROHIBITED.

SCALE 1:16 SHEET 3 OF 4



RH SWING



LH SWING

RECOMMENDED DOOR SIZING CHART

CAB WIDTH	CLEAR OPENING	OVERALL WIDTH	DOOR WIDTH	CAB HIEGHT	OVERALL HEIGHT	DOOR HEIGHT
14"	14"	15.5"	15"	*30"	31.5"	31"
15"	15"	16.5"	16"			
16"	16"	17.5"	17"			
17"	17"	18.5"	18"			
18"	18"	19.5"	19"			
19"	19"	20.5"	20"			
*20"	20"	21.5"	21"			
21"	21"	22.5"	22"			
22"	22"	23.5"	23"			
23"	23"	24.5"	24"			
*24"	24"	25.5"	25"	*36"	37.5"	37"
25"	25"	26.5"	26"			
26"	26"	27.5"	27"			
27"	27"	28.5"	28"			
28"	28"	29.5"	29"			
29"	29"	30.5"	29"			
*30"	30"	31.5"	31"			

*STANDARD SIZES

Lock Included
Hall Cabinet Door, Hardware & Face BY OTHERS



Cab Size	20 x 20 x 30	White Laminate	Single Opening
RH Locks	0	Bottom Mount	200lbs
LH Locks	2	Doors & Frames BY OTHERS	

DO NOT SCALE DRAWING	NAME	DATE	PROJECT NAME
	DRAWN	JCE	1/31/20
	PROPRIETARY AND CONFIDENTIAL		PROJECT LOCATION
	APPROVAL STATUS:		COMMENTS:
APPROVED	THE INFORMATION CONTAINED IN THIS DRAWING IS THE SOLE PROPERTY OF PRECISION LIFT INDUSTRIES, LLC. ANY REPRODUCTION IN PART OR AS A WHOLE WITHOUT THE WRITTEN PERMISSION OF PRECISION LIFT INDUSTRIES, LLC IS PROHIBITED.		SIZE DWG. NO.
APPROVED AS NOTED			A
REVISE AND RESUBMIT			SCALE 1:16
SIGNATURE			SHEET 4 OF 4