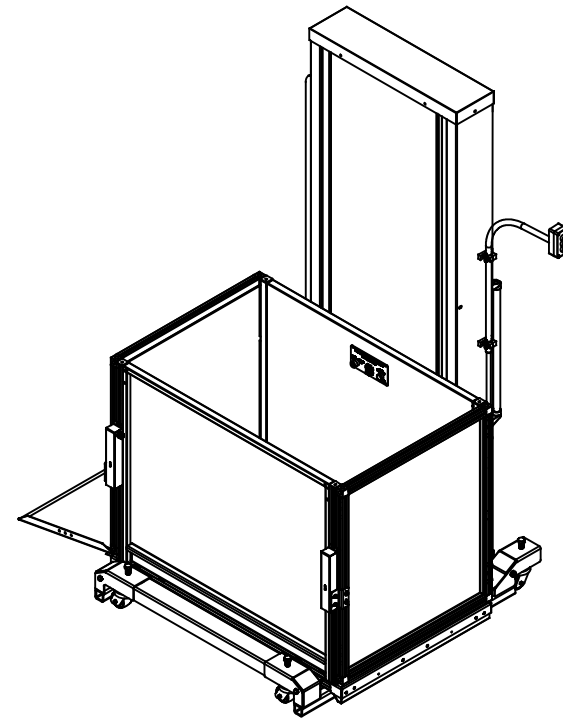


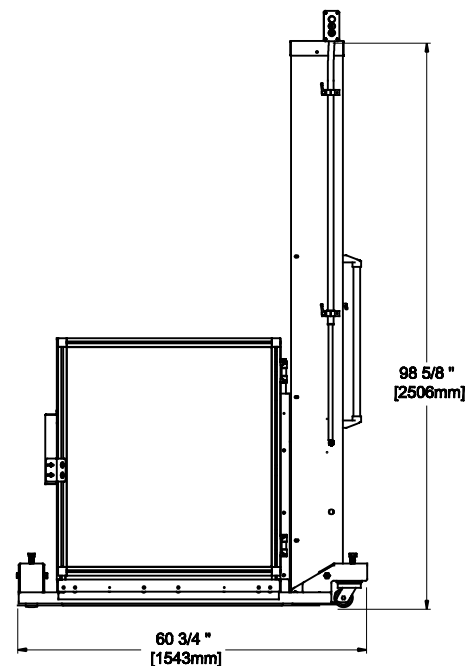
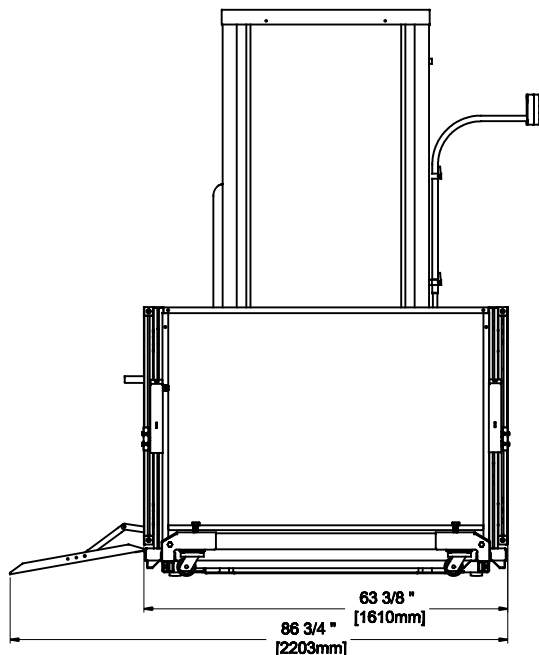
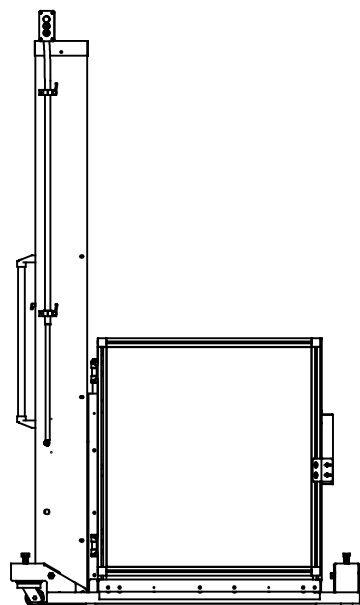
TOP VIEW

Capacity: 750lbs.
 Travel: 8" to 64" (variable)
 Motor: 1hp, 24 volts DC
 Battery operated
 Power requirement of the chargers: 120 volts AC, 15A


Specifications subject to change without notice.



ISOMETRIC VIEW



ELEVATION

		AmeriGlide, Inc. 5110 Atlantic Avenue Raleigh, NC 27616 www.ameriglide.com	
		TITLE: GENERAL INFORMATION	
No. DRAWING: HERCULES DC PORTABLE	DATE: 04/05/2018	REVISION	
DRAFTER: M. DEBUSSCHERE	No. SHEET: 1/1		